

Sound Reinforcement Monitor

MAIN APPLICATIONS

- Band P.A.
- Personal monitor
- Small theatres
- Auditoriums
- Piano bar
- DJ
- Stage monitor
- Conference rooms
- Fixed installations in live clubs
- Pubs
- Gyms

MAIN FEATURES

- 2-way passive sound reinforcement system
- 8" custom woofer with 1.7" coil
- 1" high frequency driver with 1" coil
- 160W RMS recommended amplifier
- 80W long term power
- 320W short term power IEC 268-5
- 2 x M6 suspension points
- Input panel with 2xSpeakon NL4
- Available in black or white colour



DESCRIPTION

The FBT J 8 series speakers feature lightweight, yet rugged gas-injected molded polypropylene cabinet construction. Available in black or white finish the FBT J 8 series speakers modern cabinet appearance provides fixed installations with an elegant design that blends into any decor. With the use of optional accessories the FBT J 8 speakers can be mounted on mic stands for many nearfield monitor applications, live sound and as a studio monitor. The FBT J 8 is of two-way design incorporating an 8" low frequency woofer and 1" HF custom compression driver. Cabinet dispersion is 90°H x 60°V allowing for wide pattern coverage. The internal crossover is at a fixed frequency of 2.5kHz. With a frequency range of 65Hz - 20kHz the FBT J 8 speakers provide high-fidelity sound for both speech and music applications with a maximum SPL of 121.5dB. A front face steel grille protects the speaker from external damage. Ideal for small fixed installations the FBT J 8 speaker system has an impedance of 8 Ohm. The two M6 fly points built into the cabinets along with the optional mounting brackets allow the FBT J 8 speakers to be surface mounted on walls or ceiling. For portable or fixed use the FBT J 8 speakers can be mounted on mic stands by using the optional adapters for vertical mounting. Rear panel connections feature 2 x Neutrik Speakon NL4.

TECHNICAL SPECIFICATIONS

GENERAL

Configuration	way	2
Low frequency woofer	inch	8 - 1.7 coil
High frequency driver	inch	1 - 1 coil

ACOUSTIC SPEC.

Frequency response	(@-6dB)	65Hz - 20kHz
Crossover frequency	kHz	2.5
Sensitivity (@1W, 1m)	dB	96.5
MAX SPL (cont/peak)	dB	118.5 / 121.5
Dispersion	H x V	90° x 60°
Recommended HP filter	Hz - dB /oct.	55 - 24

INPUTS & OUTPUTS

Input connectors	2x Speakon NLA4MD-V IN & LINK
------------------	-------------------------------

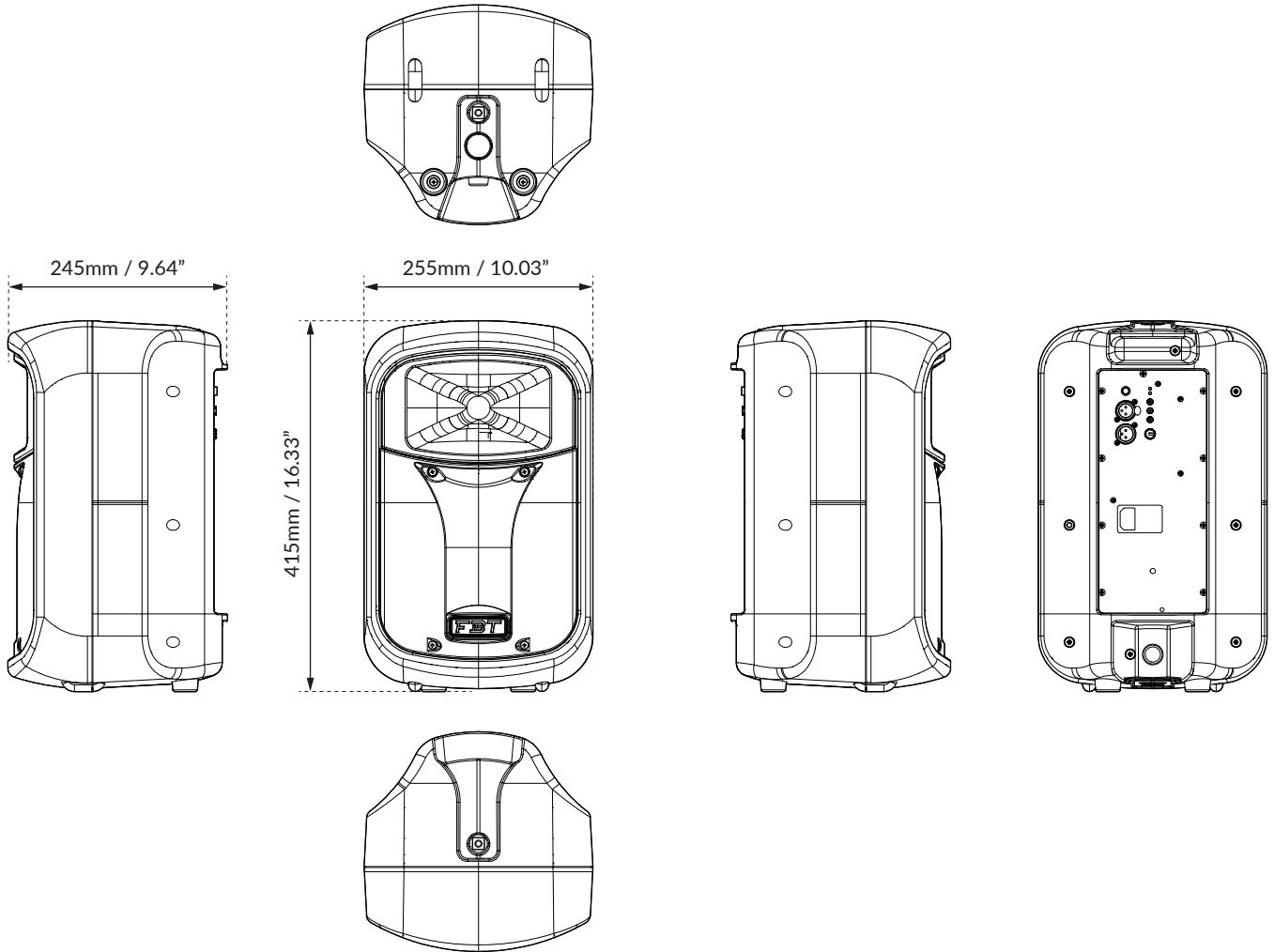
AMPLIFIER

Recommended amplifier	W RMS	160
Long term power	W	80
Short term power (IEC 268-5)	W	320
Nominal impedance	Ohm	8

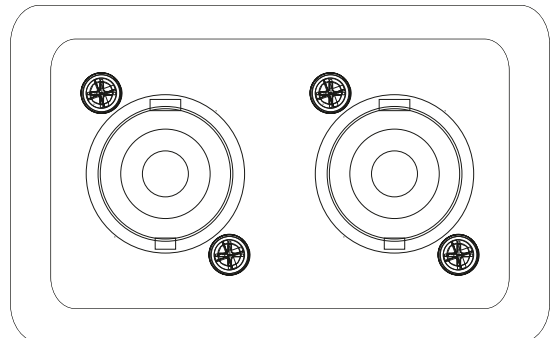
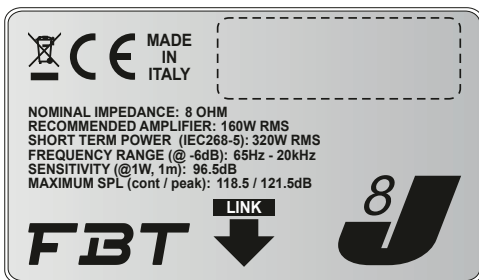
MECHANICAL SPEC.

Material		Polypropylene
Net dimensions (WxHxD)	mm inch	255 x 415 x 245 10.03 x 16.33 x 9.64
Transport dimensions (WxHxD)	mm inch	340 x 480 x 320 13.39 x 18.90 x 12.60
Net weight	kg lb	6.50 14.33
Transport weight	kg lb	7.70 16.97

DIMENSIONAL DRAWING



CONTROL PANEL

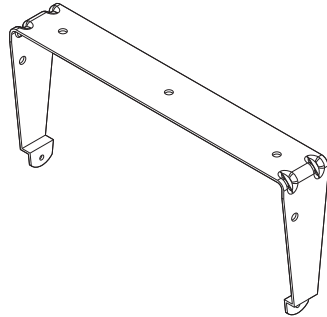


ACCESSORIES

SJ-8U

Horizontal Wall Bracket
 Black code: 18568
 White code: 38464

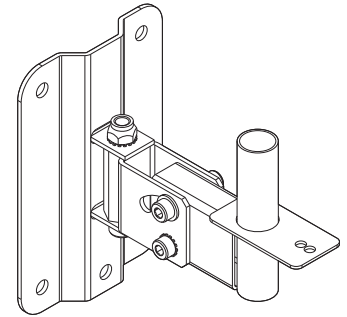
433 x 70 x 200mm
 17.04 x 2.75 x 7.87inch
 1.20 kg / 2.64 lb



SJ-8

Directional Wall Mount Bracket
 Black code: 18567
 White code: 39177

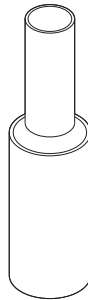
198 x 182 x 121mm
 7.79 x 7.16 x 4.76inch
 1.50 kg / 3.30 lb



AJ-8

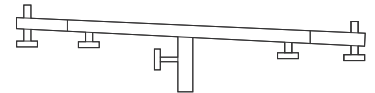
Stand Adapter
 Code: 18570

ø35mm a ø25mm x 165mm
 ø1.37inch to ø0.98inch x 6.49inch
 0.30 kg / 0.66 lb



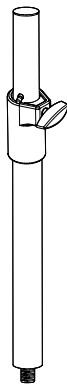
SJ-8T

Adjustable T-Support for Two Speakers
 Code: 18569



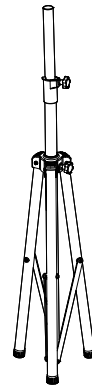
MSA 220BKS

Adjustable Stand for Sub-Sat Connection
 Code: 39330



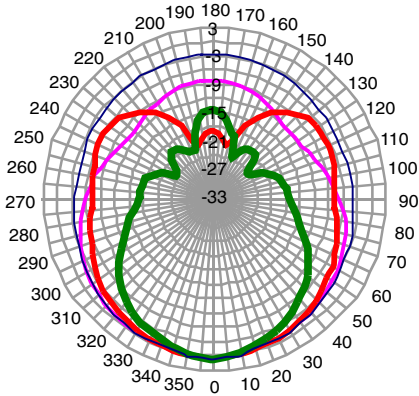
MSA 300BK

Speaker Stand
 Code: 39326

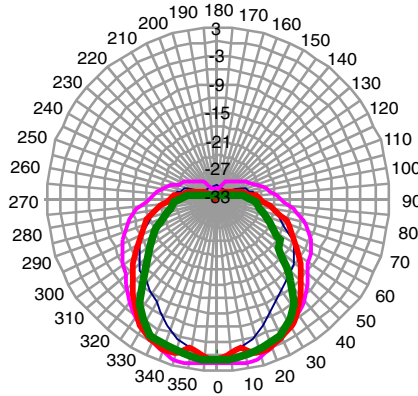


DIAGRAMS

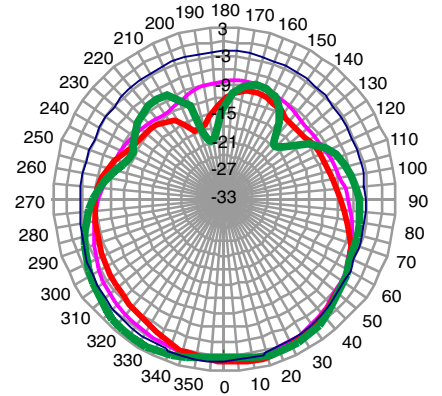
Horizontal polar diagrams



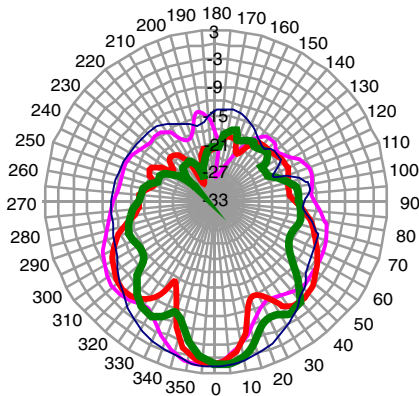
Horizontal polar diagrams



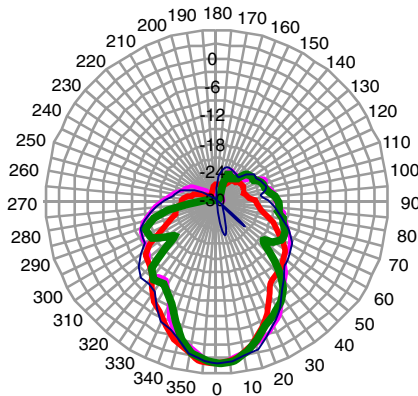
Vertical polar diagrams



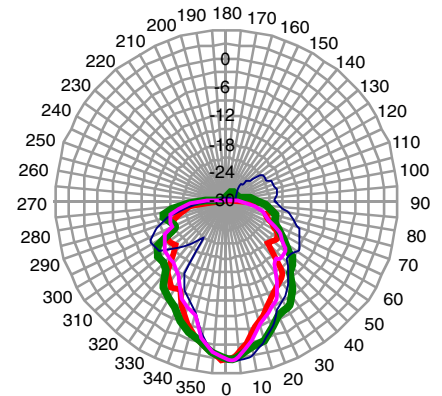
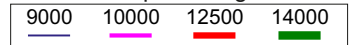
Vertical polar diagrams



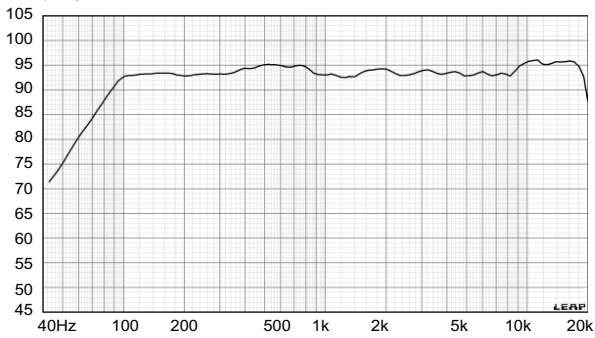
Vertical polar diagrams



Vertical polar diagrams



FREQUENCY RESPONSE



HORIZONTAL BEAMWIDTH (-6dB)

