

Sound Reinforcement Subwoofer

MAIN FEATURES

- Bass-reflex subwoofer
- 18" B&C high excursion woofer with 3" voice coil
- Recommended amplifier: 1600W RMS / 4Ohm
- Frequency response (@-6dB): 33Hz – preset dependant
- MAX SPL: 138dB (half-space)
- 2 x Neutrik NL4M Speakon connectors In & link
- 0.59" Birch plywood cabinet with scratch-resistant coating stackable
- M20 top mount speaker stand socket
- Two diecast aluminium carrying handles
- Predisposed for 4 x 4" swivel casters
- Suitable for low extension and reinforcement of the CLA 406.2 and CLA 206 column line array



DESCRIPTION

The VERTUS CLA 118S is a sound reinforcement subwoofer in a bass-reflex design, featuring an 18" B&C high-excursion woofer with a 3" voice coil and a recommended amplifier power of 1600W RMS / 4 Ohms, capable of achieving 138dB SPL in half space. The bass-reflex cabinet delivers substantial energy down to 33Hz and is ideal for extending and reinforcing the low frequencies of the VERTUS CLA 406.2 and CLA206 line arrays. There is no internal crossover; an external processor with FBT presets is required. Using external DSP presets allows for creating various configurations with cardioid directivity. The cabinet is made in 0.59" birch plywood with a textured black finish, featuring two die-cast aluminium carrying handles on opposite sides and a scratch-resistant coating. A sturdy metal grille protects the front of the VERTUS CLA 118S, and the top of the cabinet is equipped with a speaker stand socket for top mounting using an M20 thread. The rear-facing input panel provides two Neutrik NL4M Speakon connectors In & link.

TECHNICAL SPECIFICATIONS

GENERAL

Code		46251
Configuration	way	1 reflex
Low frequency woofer	inch	18 - 3 coil
High frequency driver	inch	---

ACOUSTIC SPECIFICATIONS

Frequency response (@-6dB)	Hz	33 - preset dependant
Sensitivity (@1W/1m)	dB	97
MAX SPL (cont/peak)	dB	134 / 138
Dispersion	H° x V°	Omnidirectional
Recommended HP filter	Hz - dB oct	30 - 24
Recommended Ext. filter		Authorized FBT preset for digital processor or processed amplifier

INPUTS & OUTPUTS

Input connectors		2 x Speakon NL4M IN/LINK
------------------	--	--------------------------

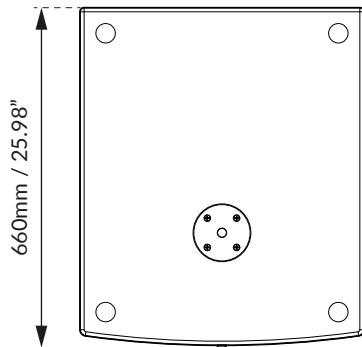
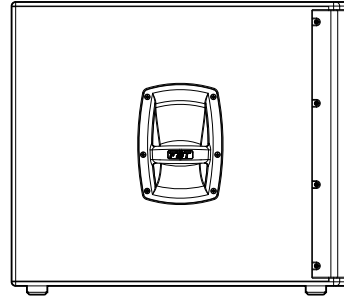
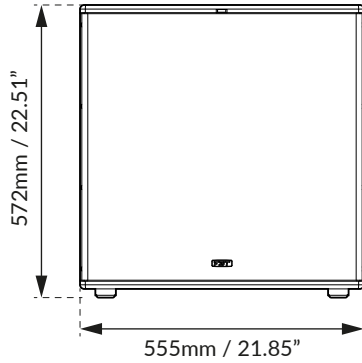
AMPLIFIER

Recommended amplifier	W RMS	1600
Long term power	W	600
Short term power (IEC 268-5)	W	3200
Nominal impedance	Ohm	4

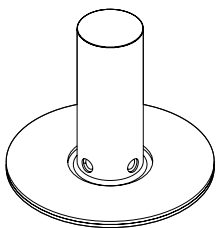
MECHANICAL SPECIFICATIONS

Material	Cabinet	0.59" Birch plywood
	Grille	Metal
Net dimensions (WxHxD)	mm	555 x 572 x 660
	inch	21.85 x 22.51 x 25.98
Transport dimensions (WxHxD)	mm	800 x 790 x 600
	inch	31.50 x 31.10 x 23.62
Net weight	kg	39.50
	lb	87.08
Transport weight	kg	46.50
	lb	102.51

DIMENSIONAL DRAWING



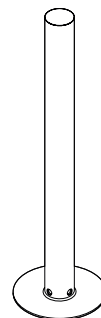
ACCESSORIES



VT-S0 406

Speaker Stand h0
Code: 39904

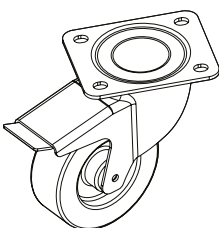
ø110 x 93mm
ø4.33 x 3.66inch
0.50 kg / 1.10 lb



VT-S30 406

Speaker Stand h30
Code: 39903

ø110 x 400mm
ø4.33 x 15.74inch
1 kg / 2.20 lb



KBM-1004S

4 Wheels Kit with Brake
Code: 25197

ø100mm
ø4inch
4 kg / 8.81 lb