

Flyable Passive Subwoofer

MAIN APPLICATIONS

- Ideal for small to medium sized applications in: Theatres, Concert Halls, Clubs, Places of Worship, Conference Rooms, Indoor Sports, Arenas & Stadiums
- Sound reinforcement for live events: touring, bands, orchestras

MAIN FEATURES

- 0.59" birch plywood enclosure
- Recommended amplifier 1200W RMS / 8 Ohm
- 1x18" B&C neodymium magnet with 3.5" coil
- Frequency response 33Hz - 250Hz
- Input panel with Neutrik speakon NL-4MDV in & link connectors
- SPL (cont/peak) 135/139dB half-space
- Suspension hardware fully compatible with MUSE 210
- Completely Manufactured in Italy



DESCRIPTION

The FBT MUSE 118FS-FSC is a 1 x 18" compact and flyable subwoofer which can extend the low frequencies of the MUSE 210L when combined together in ground-stacked or flying arrays. The modularity of the FBT MUSE 118FS-FSC makes it extremely flexible for a wide range of applications, from a small system to an elaborate line array system consisting of 6 MUSE 210L cabinets along with multiple FBT MUSE 118FS-FSC subs for large concert events. The FBT MUSE 118FS-FSC shall meet the following performance criteria: frequency response of 33Hz to 250Hz, frequency sensitivity of 101dB, maximum SPL of 135dB continuous and 139dB peak, recommended power amplifier 1200W RMS/8 Ohm. The FBT MUSE 118FS-FSC can be suspended facing forward or rearward with capability of front-or rear- mounting the grille and amp module for aesthetic uniformity in cardioid configuration. The FBT MUSE 118FS-FSC feature Baltic birch plywood construction covered in a scratch resistant black paint. Input connectors shall be parallel wired Neutrik NL4 speakon.

TECHNICAL SPECIFICATIONS

GENERAL

Code	118FS	39679
	118FSC	39714
Configuration	way	Band-pass subwoofer
Low frequency woofer	inch	18 - 3.5 coil neodymium
High frequency driver	inch	---

ACOUSTIC SPECIFICATIONS

Frequency response (@-6dB)	Hz	33 - 250
Sensitivity (@1W/1m)	dB	101
MAX SPL (cont/peak)*	dB	135 / 139 half-space
Dispersion	H° x V°	Omnidirectional
Recommended HP filter	Hz - dB oct	32 - 24
Recommended External filter		Digital management with FBT presets
Crossover frequency	Hz	External active

INPUTS & OUTPUTS

Input connectors	Neutrik NL4 Speakon
------------------	---------------------

AMPLIFIER

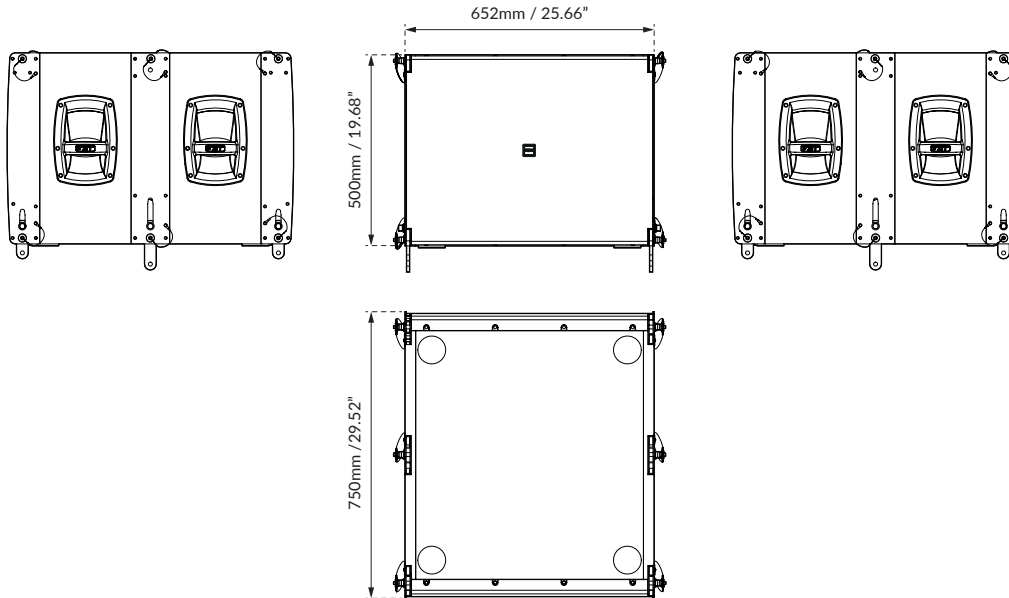
Recommended amplifier	W RMS	1200
Long term power	W	600
Short term power (IEC 268-5)	W	2400
Nominal impedance	Ohm	8

MECHANICAL SPECIFICATIONS

Material	Cabinet	0.59" Birch plywood
Net dimensions (WxHxD)	mm	652 x 500 x 750
	inch	25.66 x 19.68 x 29.52
Transport dimensions (WxHxD) with pallet	mm	800 x 655 x 800
	inch	31.5 x 25.78 x 31.5
Net weight	kg	65
	lb	143.3
Transport weight	kg	75
	lb	165.34

* CONT SPL: half space, based on power amp rating and LF transducer average sensitivity data, 125ms time average
PEAK SPL: half space, based on peak power amp rating and system peak sensitivity, 10ms time average

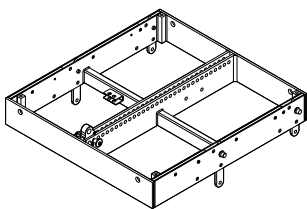
DIMENSIONAL DRAWING



CONTROL PANEL



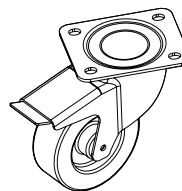
ACCESSORIES



MS-F 210

Flying Bar
Code: 38834

686 x 100 x 652mm
27 x 3.93 x 25.66inch
30 kg / 66.13 lb



KBW-1004S

4 Wheels Kit with Brake
Code: 25197

ø100mm
ø4inch
4 kg / 8.81lb