

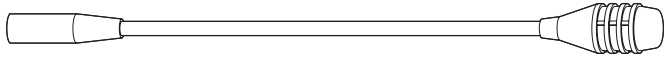
# Emergency Paging Unit

## DESCRIPTION

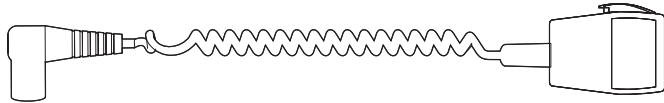
FMD 2012 remote microphone station, designed specifically for the VAIE 2250 system, enables live or recorded alert or evacuation messages to be sent out using a controlled microphone on separate zone (up to 12). The leds on the front panel provide the main information on the status of the emergency system and on any failures. Each station must be completed with an additional microphone (not included).



## ADDITIONAL MICROPHONES



FMG 2000 - Dynamic gooseneck



FMH 2000 - Dynamic hand-held

## TECHNICAL SPECIFICATIONS

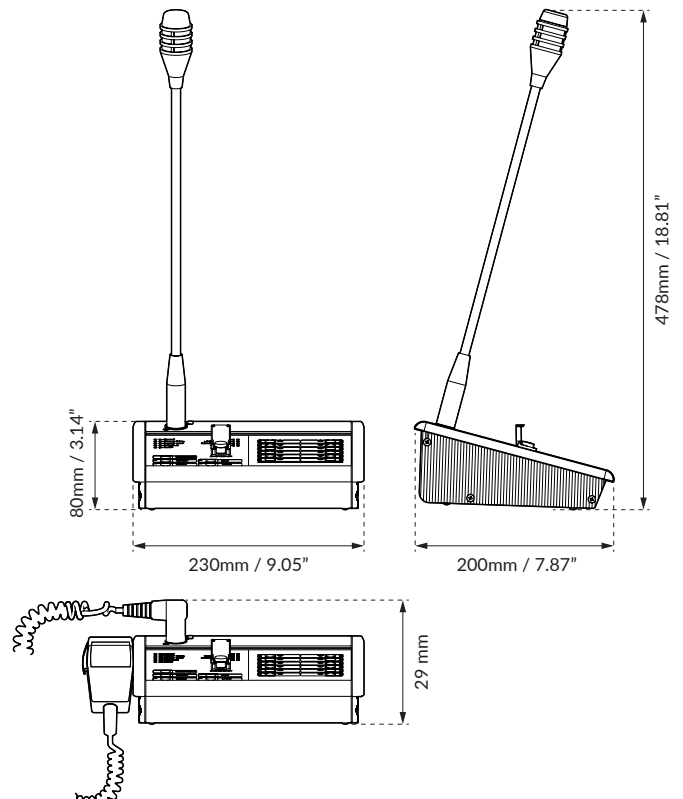
Code		37486
N° of zone selectable		12
Power supply volatge	Vdc	24
MAX absorption @24Vcc	mA	130
Typical output level	mV	300
Dispersion		<1%
S/N ratio	dB	>60
S/N ratio (weighted "A")	dB	>65
Frequency response	Hz	130 - 19k
Low cut filter	dB / Hz	-3 / 380
Net dimensions (WxHxD)	mm	230 x 80 x 200
	inch	9.05 x 3.14 x 7.87
Net weight	kg	1.25
	lb	2.75

**EN 54-16:2008**

EN 54-16:2008  
Cert. Nr. 0068-CPR-044/2016

Declaration of Performance (DoP)  
available on the website: [www.fbt.it](http://www.fbt.it)

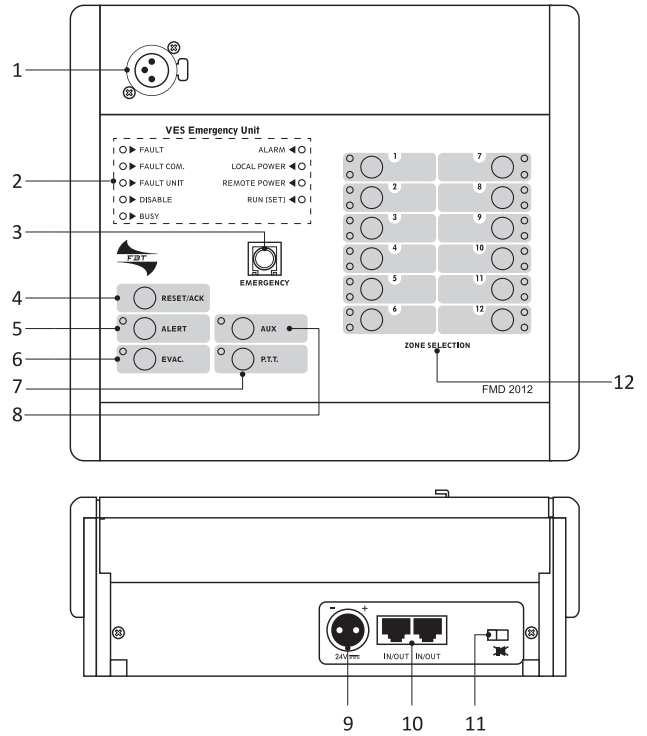
## DIMENSIONAL DRAWING



**REFERENCES**

1. Socket for stem or hand-held microphone.
2. Status - indicator LEDs.
3. Emergency key.
4. Key for interrupting message / failure buzzer.
5. Key for sending out pre-recorded alert message.
6. Key for sending out pre-recorded evac messages.
7. Call key.
8. Key for calling up pre-set messages.
9. Connector for external 24Vdc power supply.
10. In & out connectors.
11. Buzzer switch.\*
12. Zone selection keys with status indicator LED.

\*For exclusive use of installers, please refer to the instruction manual of the microphone station.



**CONNECTIONS**

These stations must be connected to the “EMERGENCY UNITS” connectors of the VAIE 2250 system. It is possible to connect up to 7 remote stations in cascade formation.\*

**IMPORTANT** | The connections to the stations are made by means of CAT5e SF/UTP shielded cable and a shielded STP connector.

\* According to the specifications of each system, it could be necessary to provide an external power supply through the appropriate local socket.

