

All Weather Speaker

MAIN APPLICATIONS

- Convention centers
- Athletic fields
- Stadiums
- Theme parks
- Swimming pools
- Cruise ships
- Malls
- Ballrooms
- Outdoor background music

MAIN FEATURES

- 2-way multipurpose 12" coax
- Sturdy molded polyethylene curved enclosure
- 12" coaxial woofer with 2.5" coil
- 1" HF driver with 1.7" coil
- Line transformer (optional)
- 4 wires cable to select the power tapping
- En 54-24:2008 certification - IP55 weather resistant
- Standard black finish
- Completely manufactured in Italy



EN 54-24:2008

CERTIFICATE OF COSTANCY OF
PERFORMANCE - TYPE B
nr. 0068/CPR/011-2019

IP55

ATTESTATION OF CONFORMITY
nr. CPR/181446_1-1-2019
EN 60529:1991-10

Declaration of Performance (DoP) available on the website www.fbt.it

DESCRIPTION

The FBT SHADOW 112HC - EN is a weatherproof coaxial two way loudspeaker system offering substantial power and efficiency for a variety of professional indoor or outdoor applications. The low frequency transducer is a 12" woofer with a 2.5" voice coil. The high frequency section is a 1" driver with 1.7" voice coil. The cabinet is a single piece rotational moulded in polyethylene, fully UV protected. The FBT SHADOW 112HC - EN is internal equipped with ceramic terminal block and thermal fuses ensuring the continued operation of loudspeakers in the event of a fire; in addition all connections use flame-retardant cabling which adheres to the EN50200 standard (with IP68 airtight cable glands). The cabinet is equipped with a stainless steel U-bracket. The grille is in custom perforated stainless steel with 3 layers of protection. The FBT SHADOW 112HC - EN meets the requirements of IP55 code (International Protection Rating).

TECHNICAL SPECIFICATIONS

GENERAL

Configuration	way	2
Low frequency woofer	inch	12 - 2.5 coil
High frequency driver	inch	1 - 1.7 coil

ACOUSTIC SPEC.

Frequency response	(@-6dB)	98Hz - 19kHz
Crossover frequency	kHz	1.6kHz
Sensitivity (@1W,1mt)	dB	101
MAX SPL (@1mt/4mt)	dB	123 / 111
Dispersion horizontal (-6dB)	500Hz	100°
	1kHz	50°
	2kHz	60°
	4kHz	70°
Dispersion vertical (-6dB)	500Hz	100°
	1kHz	50°
	2kHz	80°
	4kHz	50°
Recommended HP filter	Hz - dB oct.	80 - 24

INPUTS & OUTPUTS

Connectors		4 wire cable
------------	--	--------------

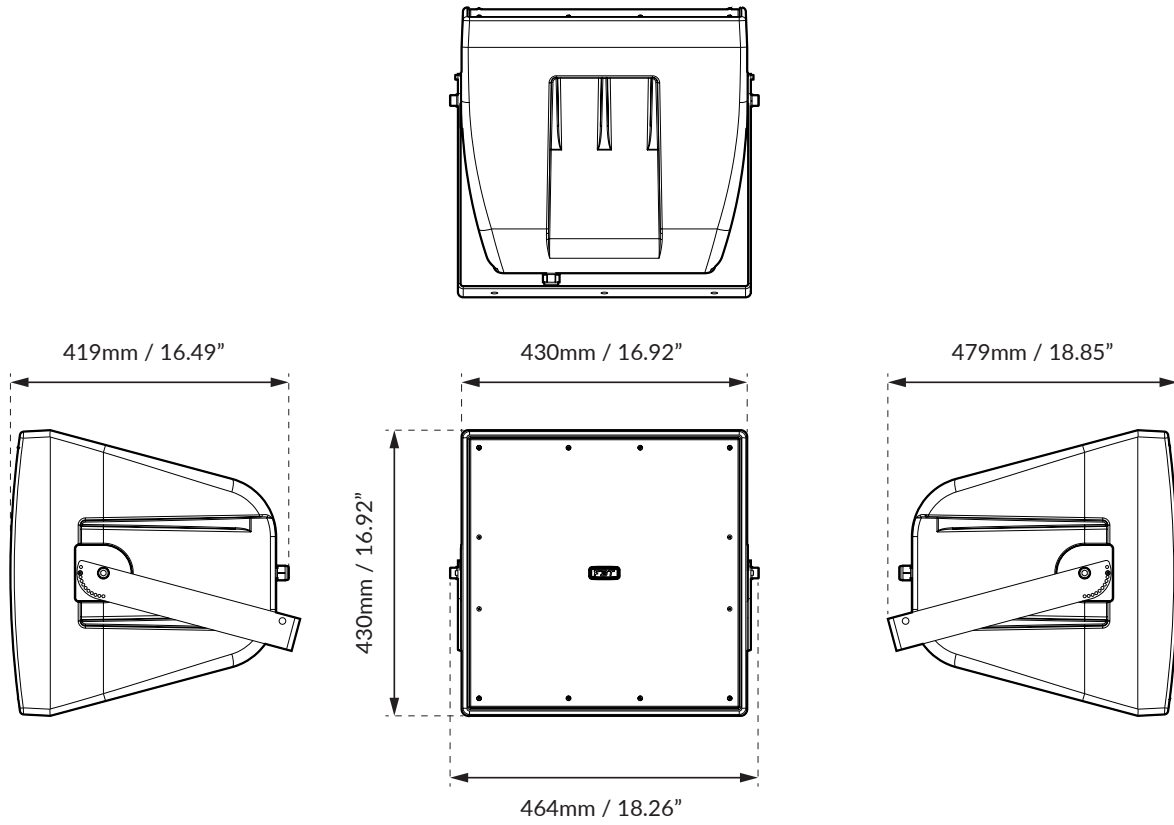
AMPLIFIER

Rated noise power 100hrs (voltage)	W (V)	250 (44.5)
Recommended amplifier	W RMS	400
Short term power (IEC 268-5)	W	800
Nominal impedance	Ohm	8
Nominal impedance (100V line)	Ohm (W)	50 (200) 100 (100)
Operating / storage temperature	°C	-25 to +55 / -40 to +70
Relative umidity		<95%

MECHANICAL SPEC.

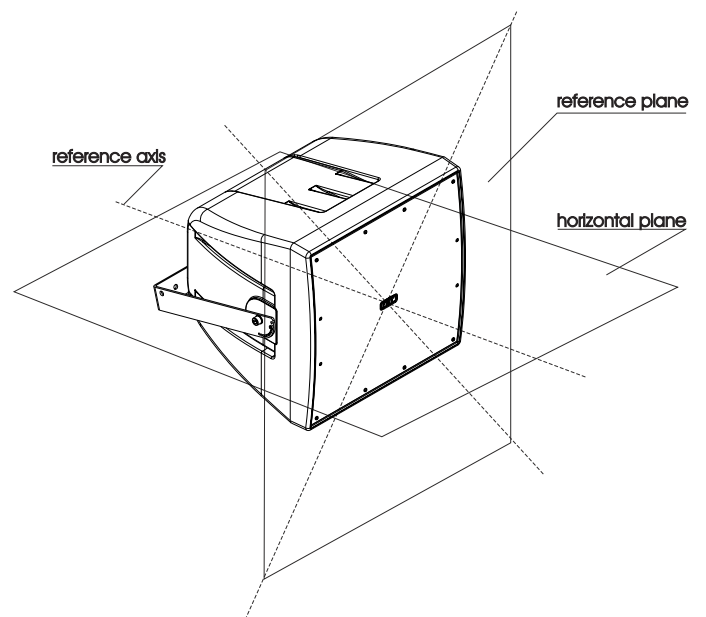
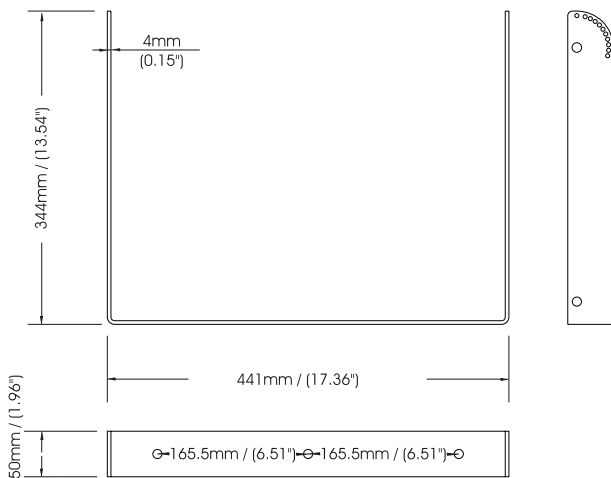
Code (HC/HCT)		41924 / 41810
Material		Polyethylene rotomolded
Net dimensions (WxHxD)	mm	430 x 430 x 419
	inch	16.92 x 16.92 x 16.49
Transport dimensions (WxHxD)	mm	585 x 590 x 510
	inch	23.03 x 23.23 x 20.08
Net weight (HC/HCT)	kg	21.90 / 23.40
	lb	48.28 / 51.58
Transport weight (HC/HCT)	kg	24.90 / 26.20
	lb	54.89 / 57.76

DIMENSIONAL DRAWING



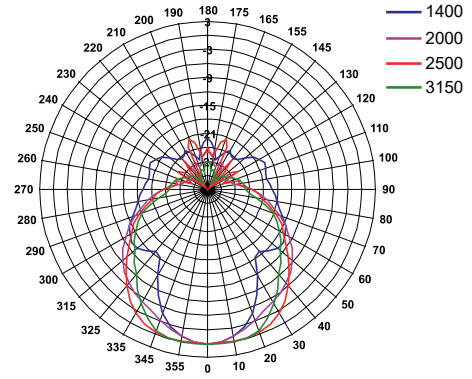
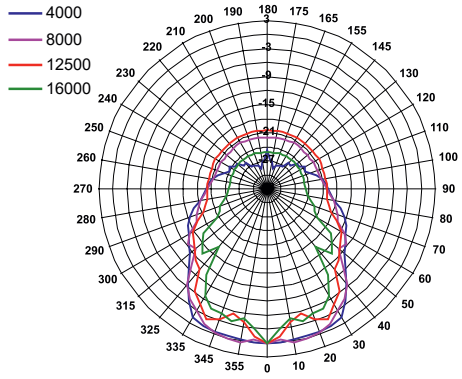
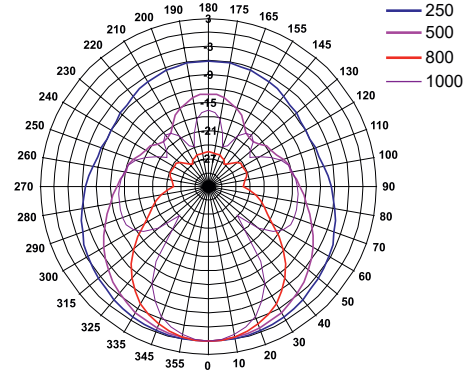
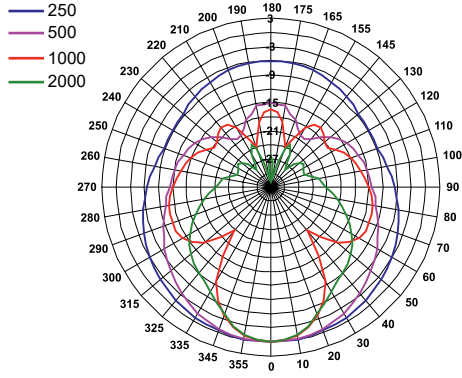
INCLUDED ACCESSORY

LOUDSPEAKERS PHYSICAL REFERENCES



HORIZONTAL POLAR DIAGRAM

VERTICAL POLAR DIAGRAM



FREQUENCY RESPONSE DIAGRAM

