

Passive Sound Reinforcement

MAIN APPLICATIONS

- Bars
- Pubs
- Restaurants
- Retail shops
- Clubs
- Entertainment venues
- Fitness centres
- Conference rooms
- Theatres
- Houses of worship
- Exhibition centres

MAIN FEATURES

- 2-way passive sound reinforcement system
- 0.47" baltic birch plywood cabinet
- 1 x 5" custom made LF woofer with rubber surround
- 1 x 1" HF dome tweeter
- 100W continuous pink noise
- 200W continuous program
- 400W peak
- Optional line transformer (100V / 50W)
- Multiple M5 threaded rigging points
- Crossover networks equipped with 4 x Euroblock speaker terminals
- Choice of different RAL paint colours
- Choice of different paint finish
- Completely manufactured in Italy



DESCRIPTION

The loudspeaker shall consist of a 5" low frequency transducer 1" HF dome tweeter; the low frequency driver's voice coil shall be 1.25" in diameter. Performance specifications of a typical unit shall be as follows: usable frequency response shall extend from 70Hz to 22kHz; nominal impedance shall be 8 ohms; the frequency dividing network shall have a crossover frequency of 3.0 kHz; measured sensitivity shall be at least 89dB (at 1m [3.3ft]). The input shall be switchable for use either at nominal 8 ohms or on a 100V distributed speaker line via transformer (optional). The cabinet shall be constructed of 0.47" Baltic birch plywood covered in a scratch & scuff resistant black or white finish. ARCHON speakers shall be installed in suspension by wall bracket, on tripod stand, with adjustable wall support and simple stack installation.

TECHNICAL SPECIFICATIONS

GENERAL

Configuration	way	2
Low frequency woofer	inch	5 - 1.25 coil
High frequency driver	inch	1 - 1 coil

ACOUSTIC SPEC.

Frequency response	(@ -6dB)	70 Hz - 22kHz
SPL max. (cont / peak) (bi-amp)*	dB	112 / 115
Dispersion	H x V	110°
Sensitivity	(@1W,1m)	89dB
Crossover Frequency		3.0kHz
Recommended HP Filter		60Hz - 24dB oct.

* CONT. SPL: free space, based on recommended amp rating and LF transducer average sensitivity data, 125mS time average
PEAK SPL: free space, based on short term applicable power rating and system peak sensitivity, 10mS time average

INPUTS / OUTPUTS

Connectors		Euroblock 4 pin
------------	--	-----------------

AMPLIFIER

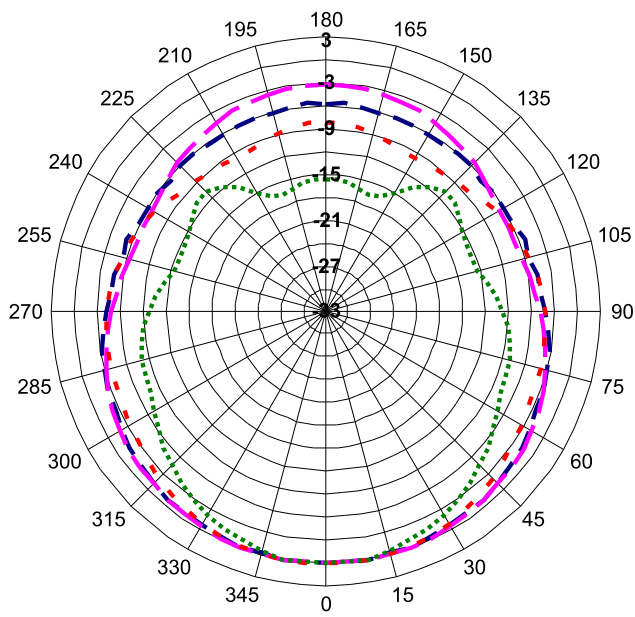
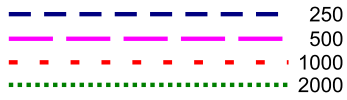
Recommended amplifier	W RMS	200
Transformer (optional)	V / W	100V / 5W
Long term power	W	100
Short term power IEC 268-5	W	400
Nominal impedance	Ohm	8

MECHANICAL SPEC.

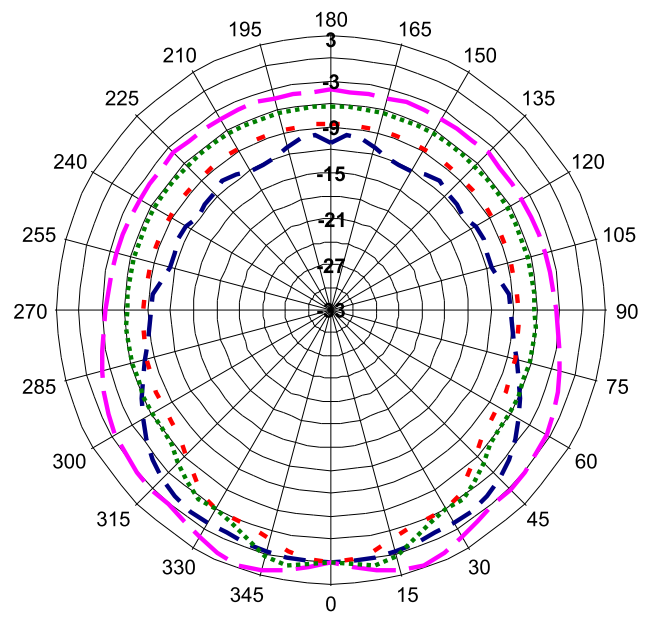
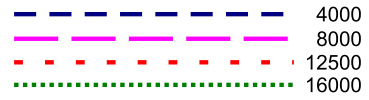
Material		0.47" baltic plywood
Grille		Steel with powder coat black or white paint finish
Net size (WxHxD)	inch	7.08 x 11.81 x 7.08
Net weight	Lbs	8,8

DIAGRAMS

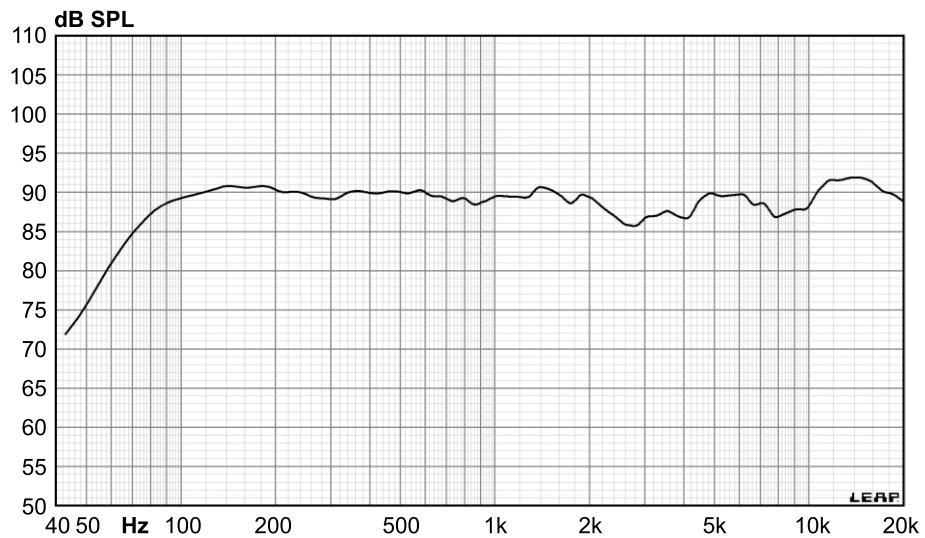
Horizontal polar diagrams



Horizontal polar diagrams

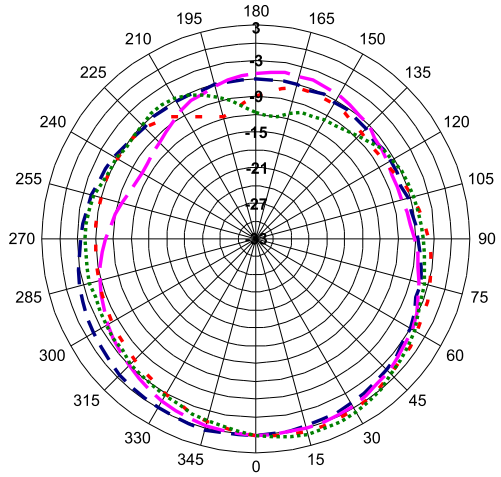


FREQUENCY RESPONSE

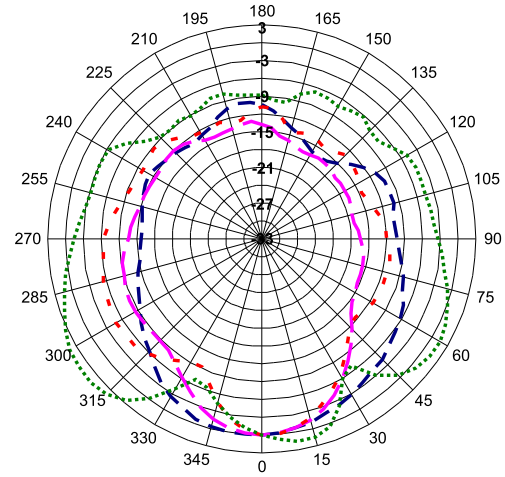


DIAGRAMS

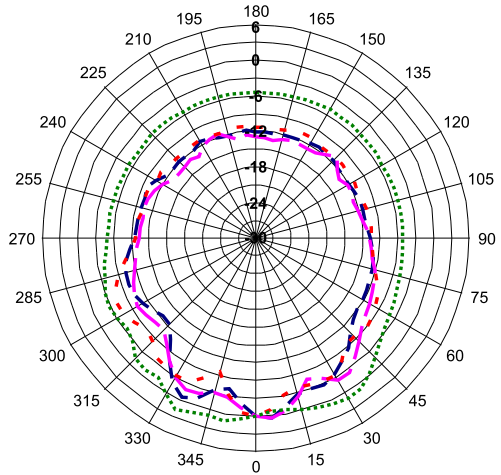
axis normalized vertical polar diagrams



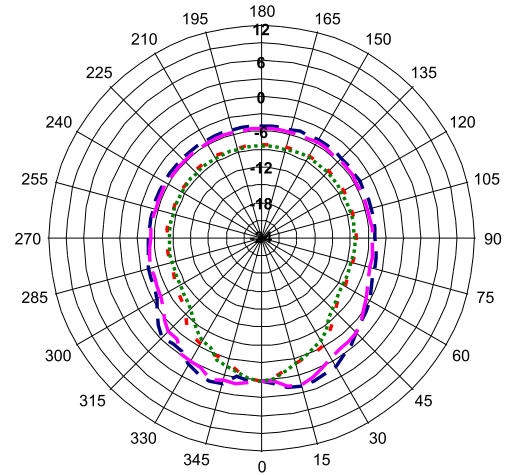
axis normalized vertical polar diagrams



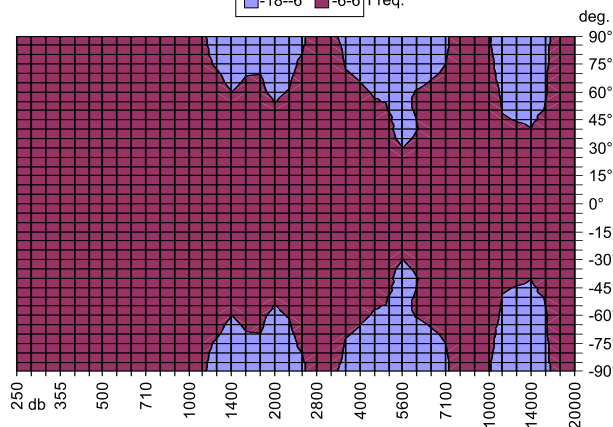
axis normalized vertical polar diagrams



axis normalized vertical polar diagrams

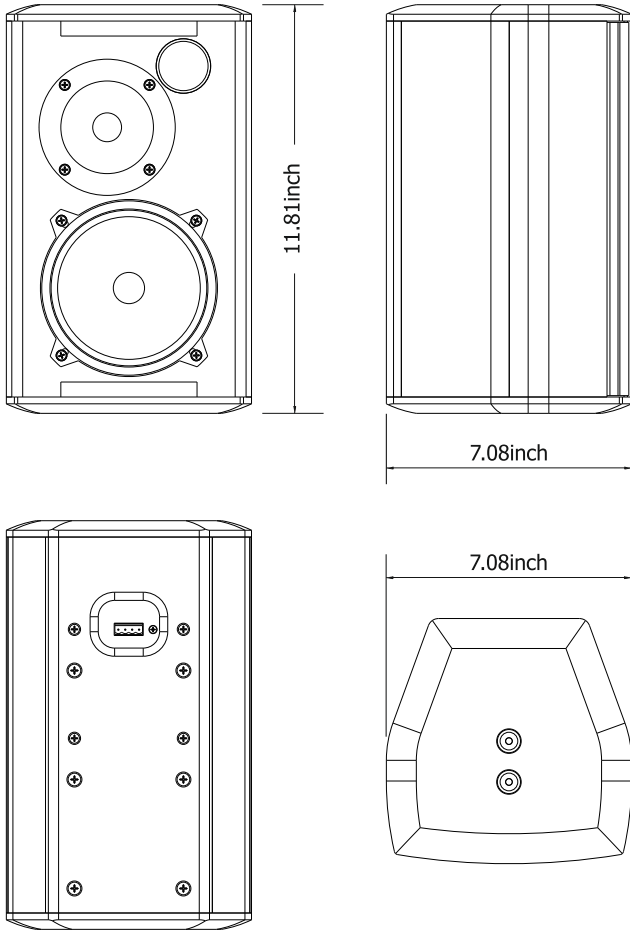


Horizontal coverage



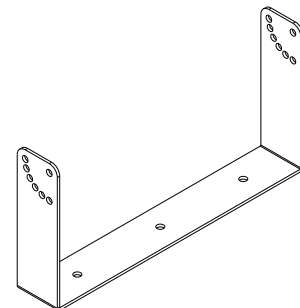
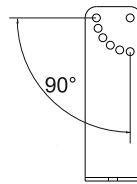
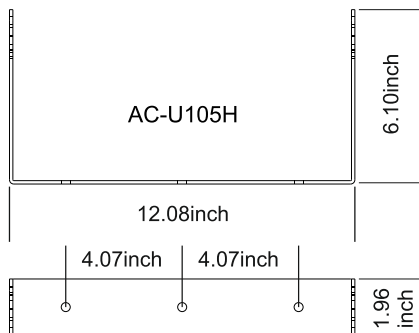
DIMENSIONAL DRAWING

POWER SELECTION



ARCHON 105	COM	HI	50W
	COM	LO	25W

ACCESSORIES



AC-W568

