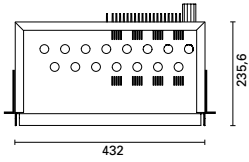
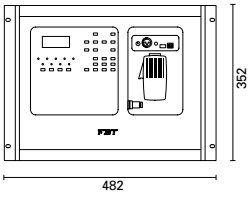
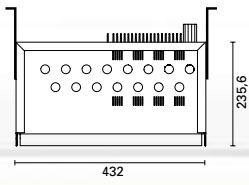


VAIS 1000.2

MODULAR INTEGRATED SYSTEM



RACK MOUNTING



WALL MOUNTING

Modular integrated system for voice evacuation in emergency condition

VAIS 1000.2 is a high-quality modular voice alarm system specially designed to simplify the provision of a fully **EN 60849** and **EN54-16** compliant voice alarm system.

Voice evacuation system main function is clear and intelligible voice messages generation, whose purpose is to advice people of the presence of fire through the fire detection system to which audio system is connected.

VAIS 1000.2 single module can be

configured as Master or as Slave or as Extension. Slave modules are to increase zones number: connection of the modules, Master, Slave and Extension, with the same fire detection system, makes voice evacuation system VAIS 1000.2 the best choice not only for single-zone application but also for medium-large installation such as offices, shopping centres, hotels and community centres.

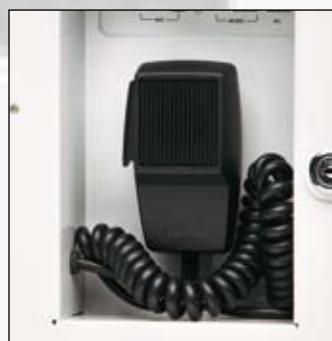
Extension modules are generally used to give more power to additional loudspeakers in big areas such as warehouses, shopping centres, buildings,

cinemas. They give more flexibility in differentiating announcements and background music, as they're equipped with their own input for these functions.

FBT AUDIO CONTRACTOR

VAIS 1000.2 is fully compliant to the Norm EN 60849 and therefore is capable to:

- work in danger situations
- indicate any faults
- transmit audio alarm message
- work without primary power supply with internal battery
- be connected with fire detection system



FBT

VAIS 1000.2

MODULAR INTEGRATED SYSTEM

Within one integrated and compact wall and standard 19" rack-mountable enclosure, VAIS1000 comprises:

- matrix with prioritized preamplifier circuit comprising:
 - 6 input channels for background music (auxiliary CD/Tuner/Tape and USB input for MP3 music recorded inside an USB Flash disk)
 - Fireman microphone input to give instructions for correct evacuation
 - paging desk input
 - internal MP3 evacuation and alert messages generator
 - external message generator
- 1 digital message generator
- 1 digital message recorder on internal non volatile memory. You can record the messages from 3 audio analog source: external auxiliary microphone, Fireman microphone, auxiliary input for CD/TAPE/TUNER. There is also the possibility to transfer MP3 audio message in the internal memory with the personal computer by USB port

- Fireman microphone: you can use it in danger situations for announcements. The VAIS 1000M includes diagnostic circuits to detect this microphone fault
- 2 audio power amplifiers with isolated output transformer (100V rms)
- 1 monitored spare audio amplifier used to substitute the broken amplifier automatically
- Secondary power supply for VAIS 1000.2 with one 12V 33Ah battery for 24 hours in stand-by and 30 minutes full operative with active alarm
- Battery charger (temperature compensated)
- Fire detection system interfaces, used to:
 - Receive the command for local and global emergency messages activation
 - Receive the command for local and global alert messages activation
 - send the command of the fault of the sound system
 - send the command of the sound

- system in emergency mode
- There are 2 physical interface for the above information exchanges:
 - RS485
 - 4 logical controlled input and 2 logical controlled output
- RS485 network between VAIS 1000.2 module and MBT VAIS 1008 paging desk
- LCD 16x4 display
- PC connection by USB port for system setup
- RJ45 Network connector. You can create an RS485 network with 16 VAIS 1000.2 and 4 MBT VAIS 1008 paging desk for at maximum of 8 zones
- Quick paging push buttons and audio source selection in emergency condition
- RJ45 Network connector. You can create an RS485 network with 16 VAIS 1000M and 4 MBT VAIS 1008 paging desk for at maximum of 8 zones
- Quick paging push buttons and audio source selection in emergency condition
- Push buttons for system monitor:

- Fault: displays any fault
- Alarm: monitor of emergency condition: it's possible to give instructions by means of fireman microphone and/or send pre-recorded alarm and/or alert messages
- Quiescent: system maintenance to test all functions. The zone under maintenance is not available for microphone paging but is fully operative in emergency condition
- Disabled: to disable specific zone. Disabled zone is not operative in any case
- Single VAIS module internal status:
 - Primary power supply presence (230Vac)
 - Secondary power supply presence (12Vdc)
 - Module fault indication
 - Disabled condition indication
 - Master condition indication

VAIS 1000.2

MBT VAIS 1008

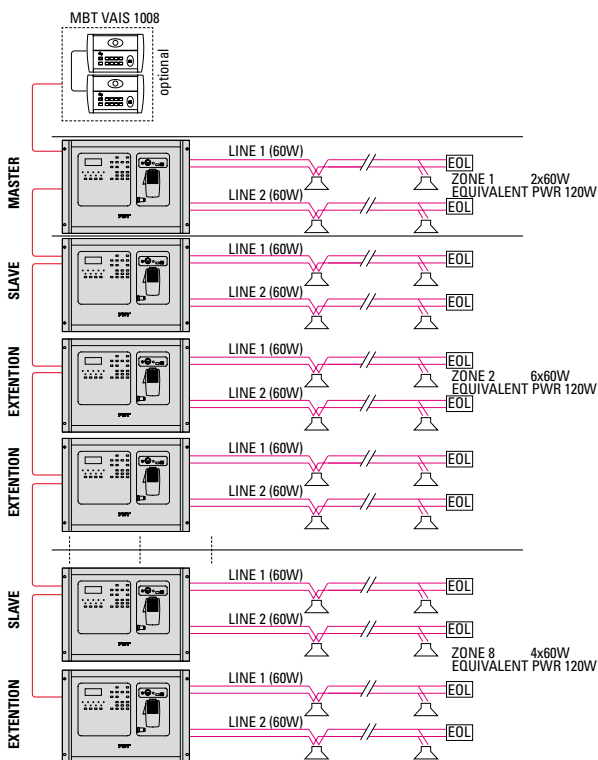
Microphone paging desk



Cod. 25847

The MBT VAIS 1008 is an 8 zones desk microphone for normal paging announcements. It gives also some general information about the system (led) such as:

- Presence of the primary power supply
- Presence of the secondary power supply
- Fault of any part of the system
- Fully operation of the system



VAIS 1000.2	
Code	25684
Power supply	
Primary Power supply	230V 50Hz
Secondary Power supply	Battery 12V 33Ah
Internal battery charger (max current)	13.8V 2.5A (temperature compensating)
Amplifier	
Frequency response	100-20000 Hz
Harmonic distortion @ 1kHz	< 0.5%
Continuous power	2 x 60 W
Spare Amplifier Power	1 x 60 W
Max continuous output power with discharged battery	2 x 20W
Output	2 x 100V line speakers
Audio Source	
USB flash disk connector for MP3 background music	
Internal MP3 message generator	
Internal fireman microphone	
Tuner/CD/Tape input	
External fireman microphone	
External background music	
External message generator	
Fire System interface	
2 controlled output (Fault, emergency)	3.3k W (end of line resistor)
3 optoisolated controlled input (Local emergency message, General emergency message, Alert message)	
RS485 interface	
Message generator	
MP3 player (message generator, background music)	
MP3 Recorder (Aux microphone, Fireman microphone, Tuner/CD/Tape input)	
MP3 recording time	30 s
Network	
Interface	RS485
Number of zones	8
Number of VAIS module	16
Display	4 lines x 16 characters
Dimension	482x352x236mm
Weight	18 kg
European Standards	EN60065, EN80449, EN60849, EN54-16