

APPLICATIONS

- Live Sound P.A. System , D.J. System
- School & Corporate Audio Visual Sound Reinforcement
- Background Music/Announcement: Restaurants, Pubs
- Transportation Terminals, Clubs, Auditoriums, Theatres
- Gyms, Houses of Worship

FEATURES

- 0,7" birch plywood cabinet, internally braced to prevent undesired resonance and vibrations
- 18" B&C woofer with 3" voice coil
- Input panel with 2 x Neutrik speakon NL4
- Six M10 fly points
- Two metal handles
- High SPL capability: 139dB
- Completely Manufactured in Italy



PRODUCT DESCRIPTION

The FBT VERVE18S passive subwoofer feature 0.7" Baltic birch plywood construction, covered in a scratch & scuff resistant black finish. The FBT VERVE18S is a bass reflex design incorporating a 18" B&C ceramic woofer with 3" voice coil ideal companion of VERVE 215, 152, 15, 15M. With a frequency range of 35Hz-150Hz the FBT VERVE18S provides hi fidelity sound for both speech and music applications with a maximum SPL of 139dB. A front face steel grille protects the woofer from external damage. Six M10 fly points built in to the cabinet and two strategically placed metal carrying handles to easy transportability. A standard top mount 1,38" speaker stand socket allows satellite speakers to place above subwoofer cab on an adjustable satellite speaker pole mount. The rear facing input panel provides two NL4 Neutrik speakon female connectors. An external electronic crossover is required for using with a satellite.

ELECTRICAL PERFORMANCE

System Type:	Bass reflex
Recommended Amplifier	1200W RMS
Long Term Applicable Power (AES)	600W
Short Term Applicable Power (IEC 268-5)	2400W
Nominal Impedance	4 Ohm
Frequency Response @ -6dB	35Hz - 150Hz
Sensitivity @ 1W, 1m	98.5dB
Maximum SPL (continuous/peak) *	135dB / 139dB
Dispersion	Omnidirectional
Crossover Frequency	0,1 kHz External

PHYSICAL

Low Frequency Woofer	18" / 3" Coil
High Frequency Driver	-----
Input Connectors	2 x Speakon NL4
Net Dimensions (WxHxD)	19.9" x 23.8" x 25"
Shipping Dimensions (WxHxD)	23.6" x 26.7" x 28.1"
Net Weight	88.2 lbs
Shipping Weight	96.3 lbs
Enclosure Material	0,7" birch plywood
Grille	Steel with powder coat black paint finish

* CONT. SPL: half space, based on recommended amp rating and LF transducer average sensitivity data, 125ms time average
PEAK SPL: half space, based on short term applicable power rating and system peak sensitivity, 10ms time average

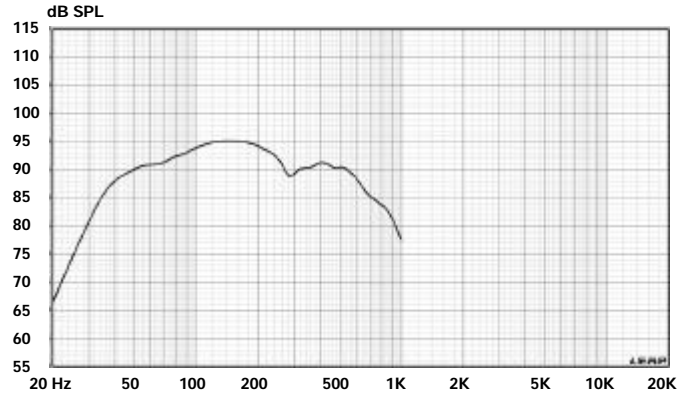
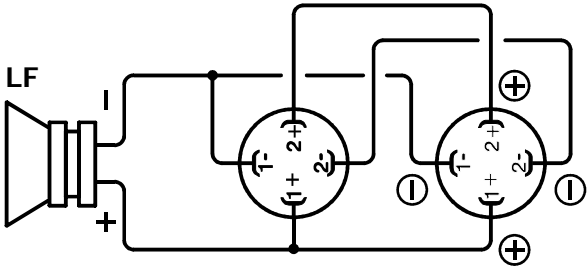
FBT

VERVE 185

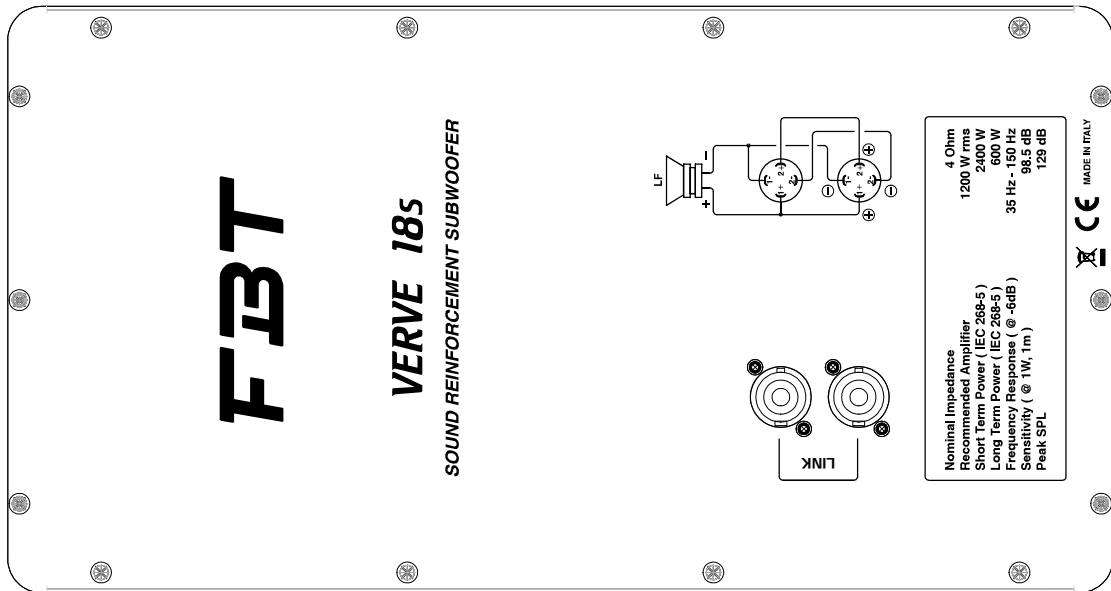
Sound Reinforcement Subwoofer

BLOCK DIAGRAM

FREQUENCY RESPONSE

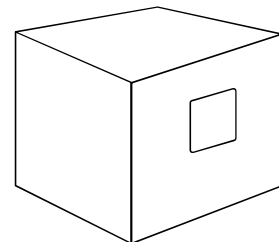
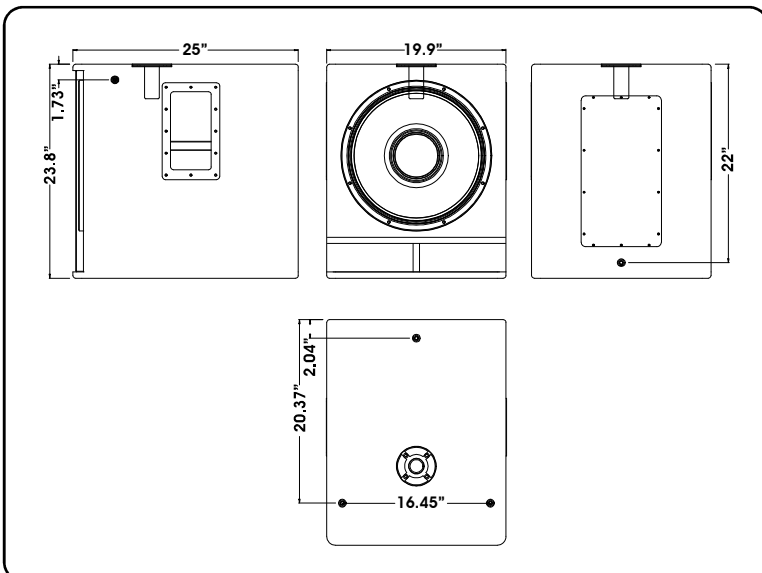


INPUT CONNECTORS



DIMENSION DRAWING

ACCESSORIES



V51

Nylon case