

### APPLICATIONS

- Live Sound P.A. System , D.J. System
- School & Corporate Audio Visual Sound Reinforcement
- Background Music/Announcement: Restaurants, Pubs
- Transportation Terminals, Clubs, Auditoriums, Theatres
- Gyms, Houses of Worship

### FEATURES

- 0,7" birch plywood cabinet, internally braced to prevent undesired resonance and vibrations
- 15" B&C custom neodymium woofer
- 2" B&C titanium compressor driver with 2" voice coil and 2" exit
- 60° x 40° constant directivity rotatable horn
- Input panel with 2 x Neutrik speakon NL4 jacks
- Wall, ceiling, cluster, speaker stands. Optional accessories required
- 2 metal carrying handles
- Six M10 fly points
- High SPL capability: 130dB
- Completely Manufactured in Italy



### PRODUCT DESCRIPTION

The FBT VERVE152 passive speaker feature 0.7" Baltic birch plywood construction, covered in a scratch & scuff resistant black finish. The FBT VERVE152 is a two way design incorporating a 15" B&C custom neodymium woofer with 3" voice coil, 2" B&C titanium compressor driver with 2" voice coil coupled to a rotatable 60° H x 40° V horn. Thanks to the rotatable HF horns it is possible to create horizontal arrays of 2 enclosures for a total coverage of 80°. With a frequency range of 47Hz-18kHz the FBT VERVE152 provides hi fidelity sound for both speech and music applications with a maximum SPL of 130dB. The passive crossover filter featuring "soft trip" circuitry to ensure full protection of the LF woofer and HF driver. The rear panel provides two NL4 Neutrik Speakon female connectors. A front face steel grille protects the woofer from external damage. The six M10 fly points built into the cabinet along with the optional BOX 117 mounting brackets allow the FBT VERVE152 speakers to be surface mounted on walls or ceilings. A standard 1,38" speaker stand socket allows the FBT VERVE152 to be mounted on speaker stands.

### ELECTRICAL PERFORMANCE

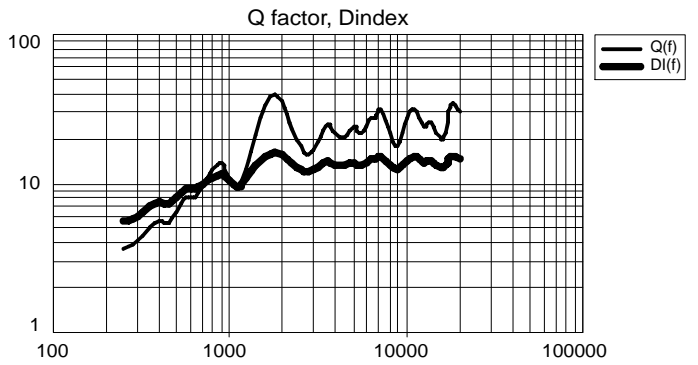
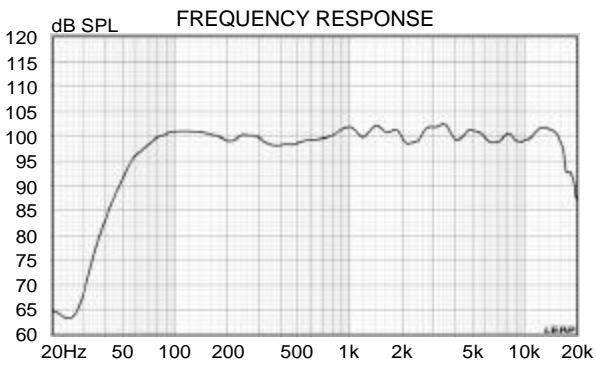
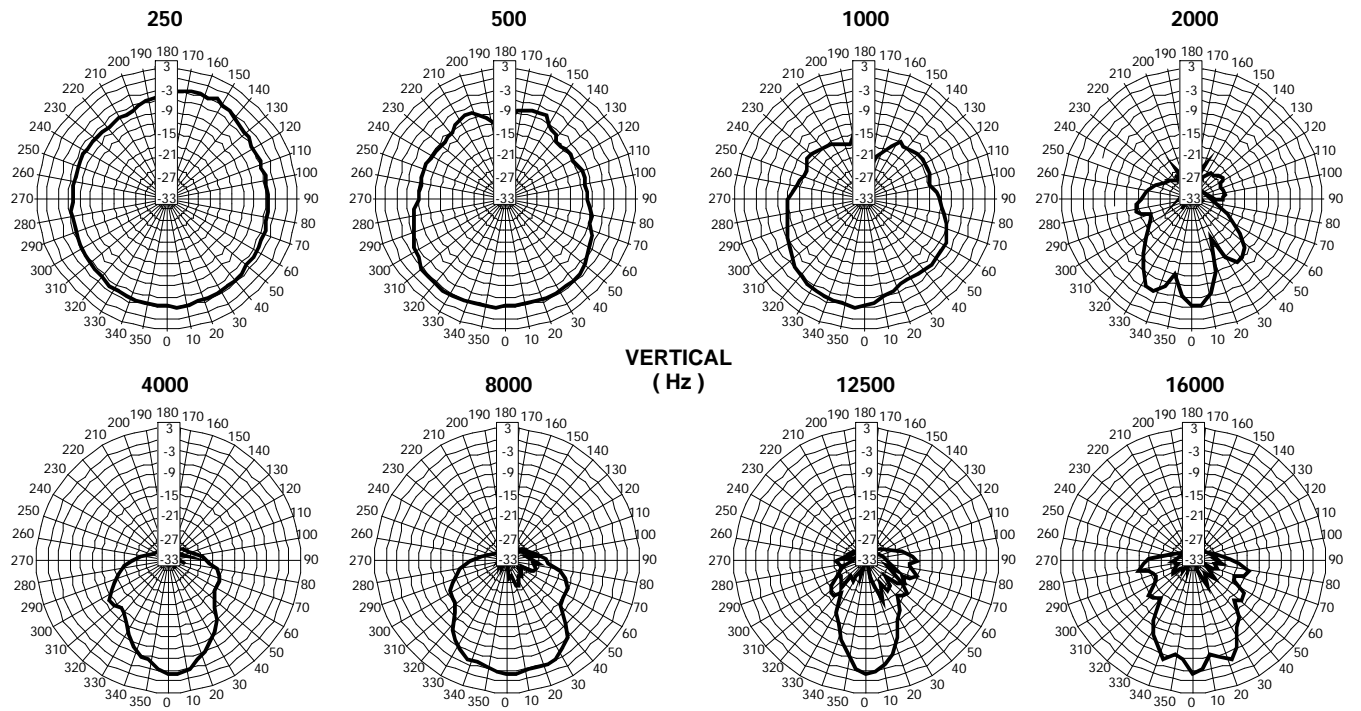
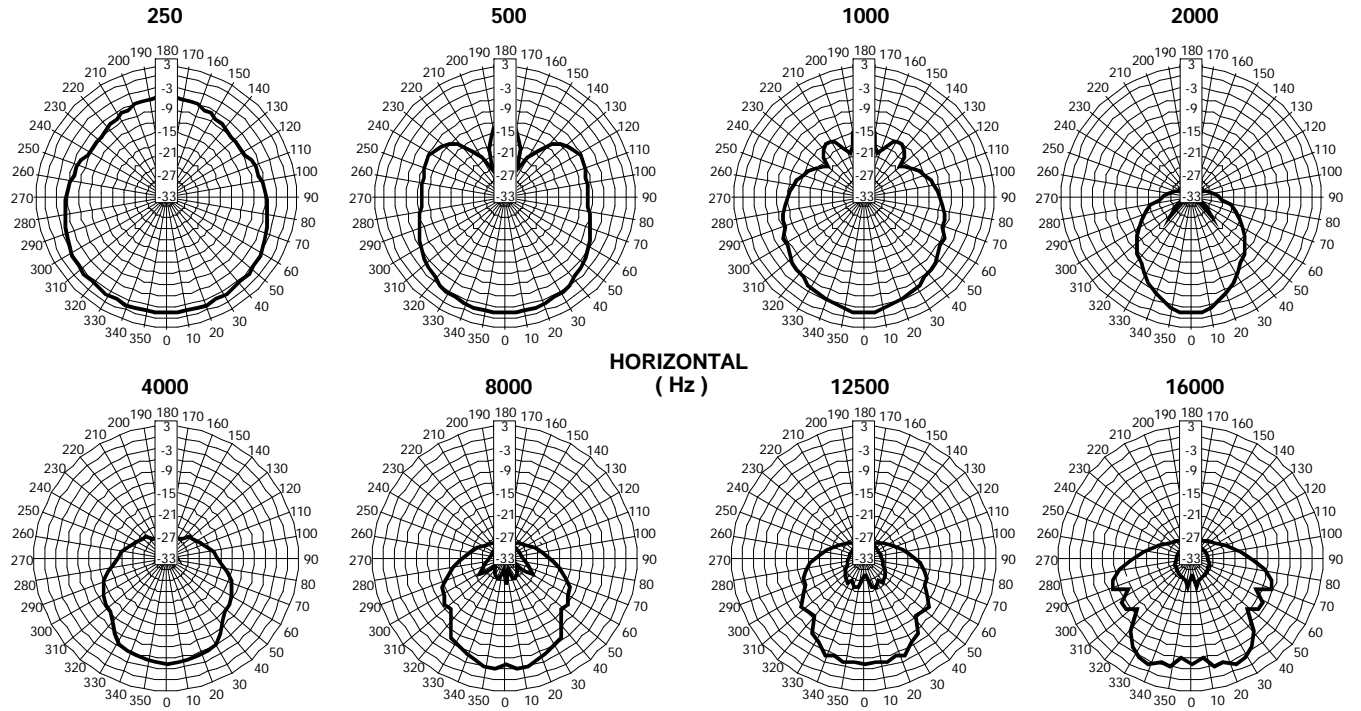
System Type:	2 Way
Recommended Amplifier	700W RMS
Long Term Applicable Power (AES)	350W
Short Term Applicable Power (IEC 268-5)	1400W
Nominal Impedance	8 Ohm
Frequency Response @ -6dB	47Hz - 18kHz
Sensitivity @ 1W, 1m	98dB
Maximum SPL ( continuous/peak )*	126.5dB / 130dB
Dispersion	60°H x 40°V rotatable
Crossover Frequency	1,6 kHz

### PHYSICAL

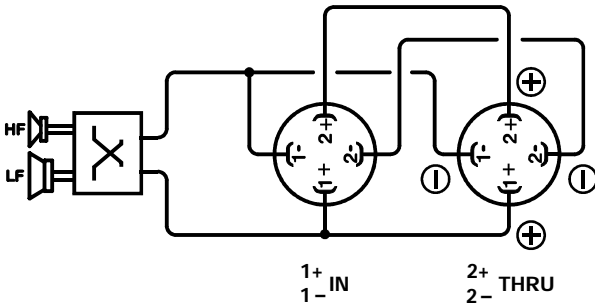
Low Frequency Woofer	1x15" / 3" Coil
High Frequency Driver	2" / 2,5" Coil
Input Connectors	2 x Speakon NL4
Net Dimensions (WxHxD)	17" x 30,7" x 15,9"
Shipping Dimensions (WxHxD)	20,5" x 33,9" x 19,3"
Net Weight	59,5 lbs
Shipping Weight	68,3 lbs
Enclosure Material	0,7" birch plywood
Grille	Steel with powder coat black paint finish

\* CONT. SPL: free space, based on recommended amp rating and LF transducer average sensitivity data, 125mS time average  
PEAK SPL: free space, based on short term applicable power rating and system peak sensitivity, 10mS time average

# DIAGRAMS

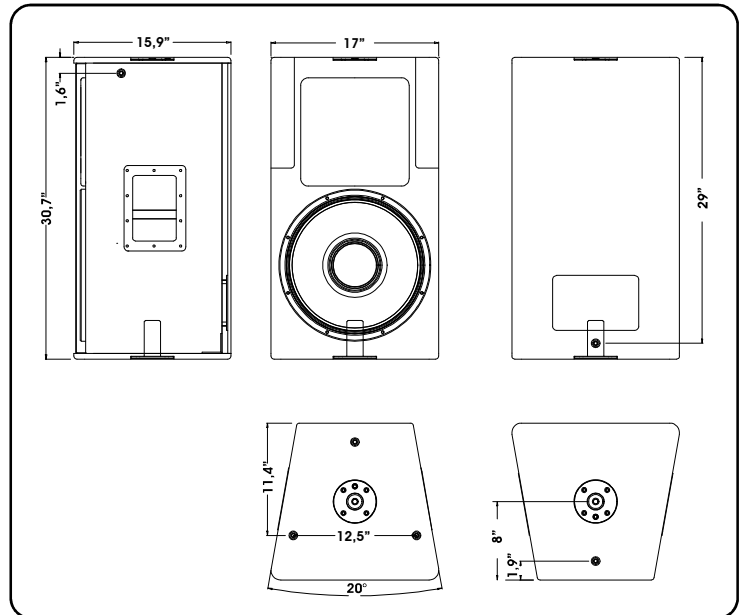
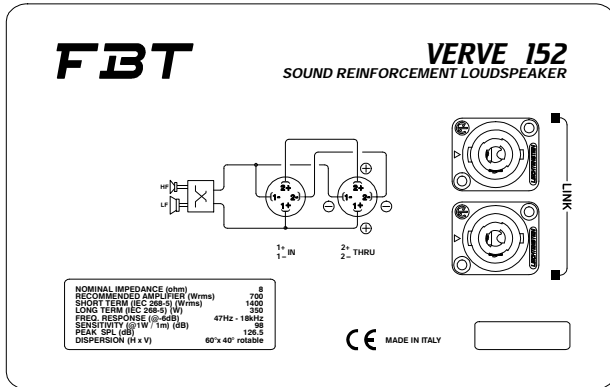


## BLOCK DIAGRAM

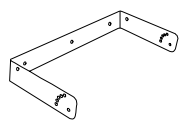


## INPUT CONNECTORS

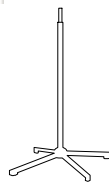
## DIMENSION DRAWING



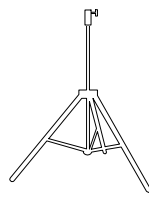
## ACCESSORIES



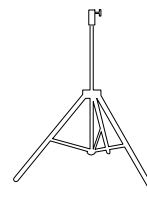
**BOX 117**  
Mount for horizontal wall installation



**SS2**  
Standard speaker floor stand



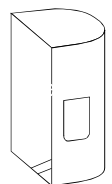
**BOX 32BK**  
Adjustable aluminium floor stand, damped safety mechanism



**BOX 22BK**  
Adjustable aluminium floor stand, ø1.38" with ø1" adapter



**BOX 52BK**  
Adjustable for sub-satellite speaker connection, with safety locking device



**V 52**  
Nylon case