

APPLICATIONS

- Live Sound P.A. System or Live Sound Monitor, D.J. System
- School & Corporate Audio Visual Sound Reinforcement
- Background Music/Announcement: Restaurants, Pubs
- Transportation Terminals, Clubs, Auditoriums, Theatres
- Gyms, Houses of Worship

FEATURES

- 0,59" baltic birch plywood cabinet, internally braced to prevent undesired resonance and vibrations
- 15" B&C custom neodymium woofer
- B&C HF compression driver with 1.4" voice coil and 1" exit
- 80° x 50° constant directivity rotatable horn
- Input panel with 2 x Neutrik speakon NL4 jacks
- Wall, ceiling, cluster, speaker stands. Optional accessories required
- 2 metal carrying handles
- Six M10 fly points
- High SPL capability: 128dB
- Completely Manufactured in Italy



PRODUCT DESCRIPTION

The FBT VERVE15 passive speaker feature 0.59" Baltic birch plywood construction, covered in a scratch & scuff resistant black finish. The FBT VERVE15 is a two way design incorporating a 15" B&C custom neodymium woofer with 2,5" voice coil, 1" B&C compression driver with 1,4" voice coil coupled to a rotatable 80° H x 50° V horn. Thanks to the rotatable HF horns it is possible to create horizontal arrays of 2 enclosures for a total coverage of 80°. With a frequency range of 50Hz-18kHz the FBT VERVE15 provides hi fidelity sound for both speech and music applications with a maximum SPL of 128dB. A front face steel grille protects the woofer from external damage. The passive crossover filter featuring "soft trip" circuitry to ensure full protection of the LF woofer and HF driver. The rear panel provides two NL4 Neutrik Speakon female connectors. The six M10 fly points built into the cabinet along with the optional BOX 116 mounting brackets allow the FBT VERVE15 speakers to be surface mounted on walls or ceilings. A standard 1,38" speaker stand socket allows the FBT VERVE15 to be mounted on speaker stands.

ELECTRICAL PERFORMANCE

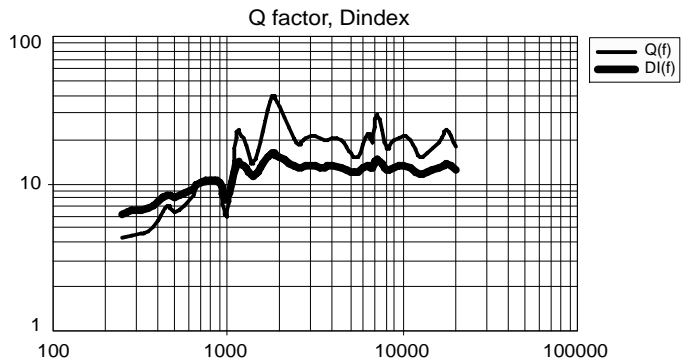
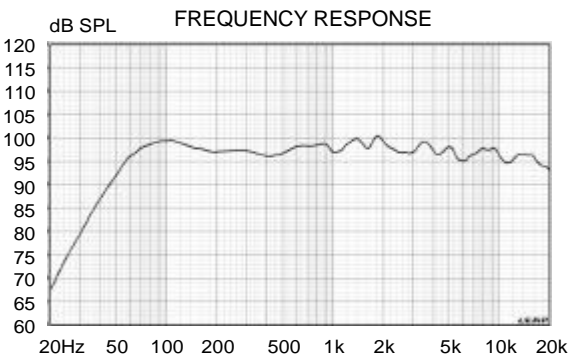
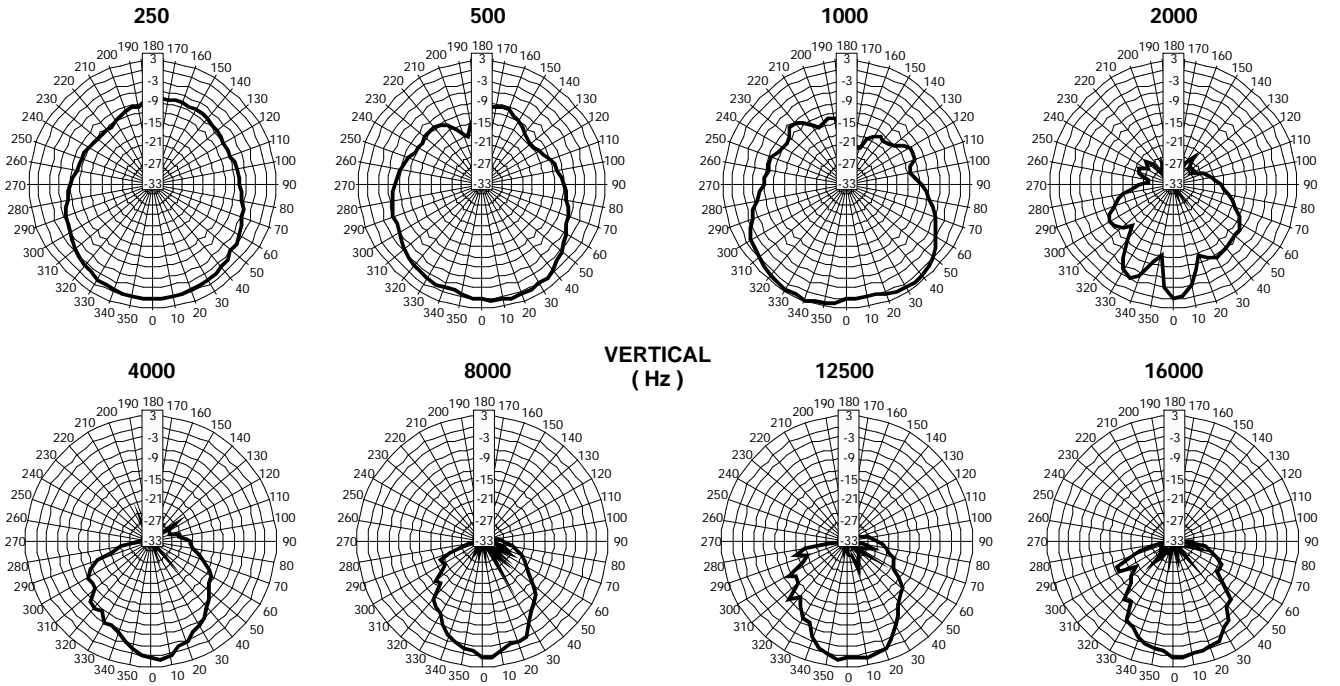
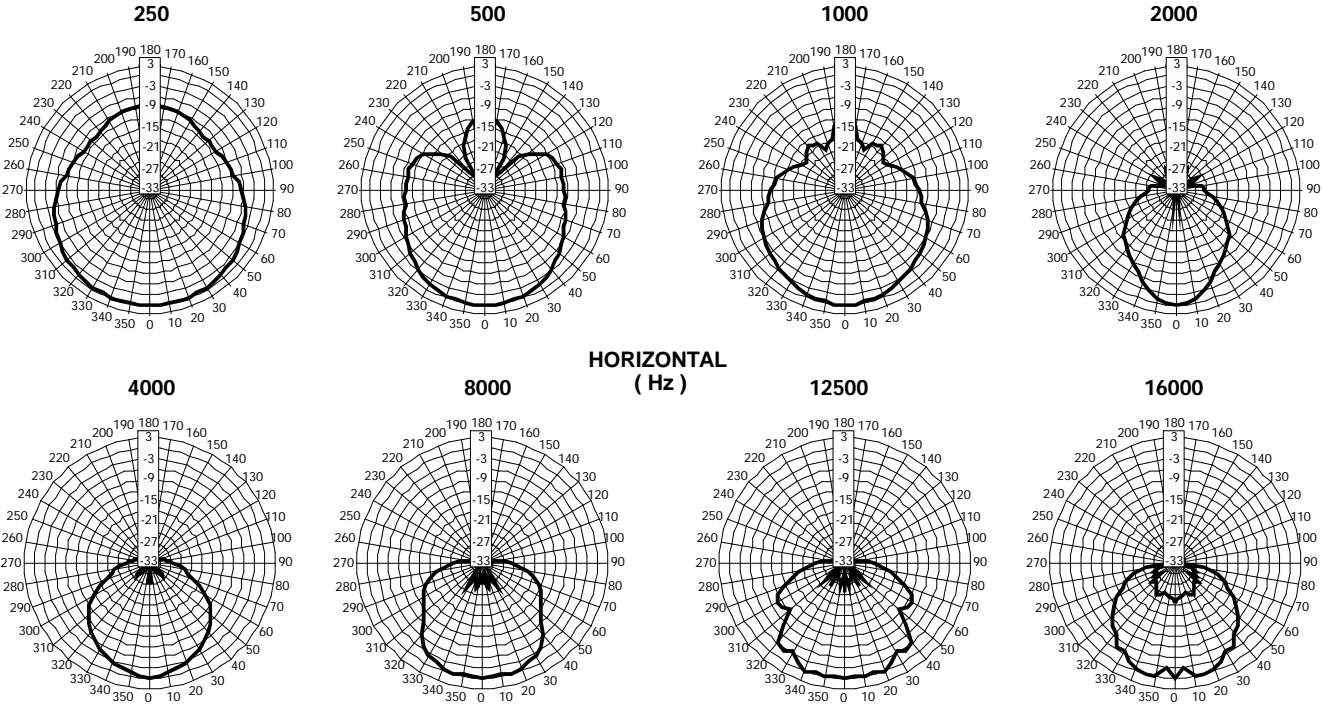
System Type:	2 Way
Recommended Amplifier	400W RMS
Long Term Applicable Power (AES)	200W
Short Term Applicable Power (IEC 268-5)	800W
Nominal Impedance	8 Ohm
Frequency Response @ -6dB	50Hz - 18kHz
Sensitivity @ 1W, 1m	98dB
Maximum SPL (continuous/peak)*	125dB / 128dB
Dispersion	80°H x 50°V rotatable
Crossover Frequency	1,8 kHz

PHYSICAL

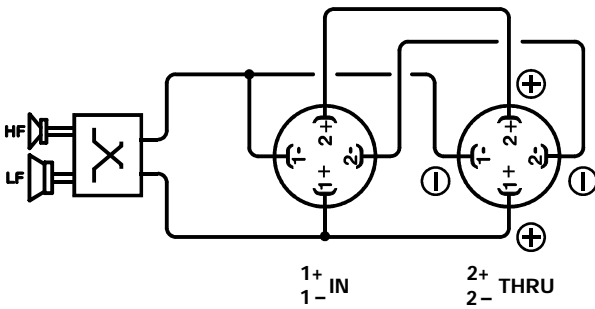
Low Frequency Woofer	1x15" / 2,5" Coil
High Frequency Driver	1" / 1,4" Coil
Input Connectors	2 x Speakon NL4
Net Dimensions (WxHxD)	17" x 28,7" x 15,9"
Shipping Dimensions (WxHxD)	18,5" x 32,3" x 20,5"
Net Weight	46,3 lbs
Shipping Weight	53,3 lbs
Enclosure Material	0.59" baltic birch plywood
Grille	Steel with powder coat black paint finish

* CONT. SPL: free space, based on recommended amp rating and LF transducer average sensitivity data, 125mS time average
PEAK SPL: free space, based on short term applicable power rating and system peak sensitivity, 10mS time average

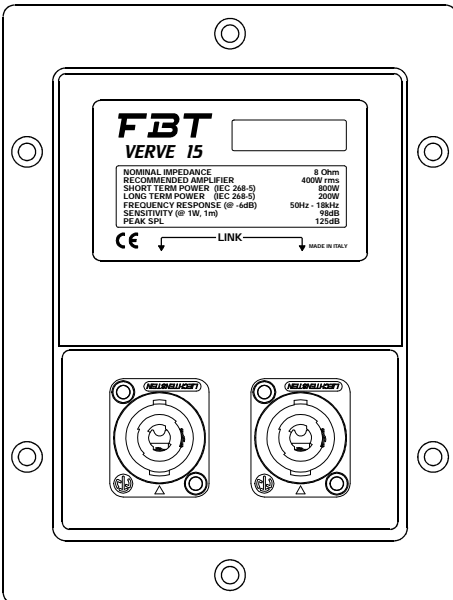
DIAGRAMS



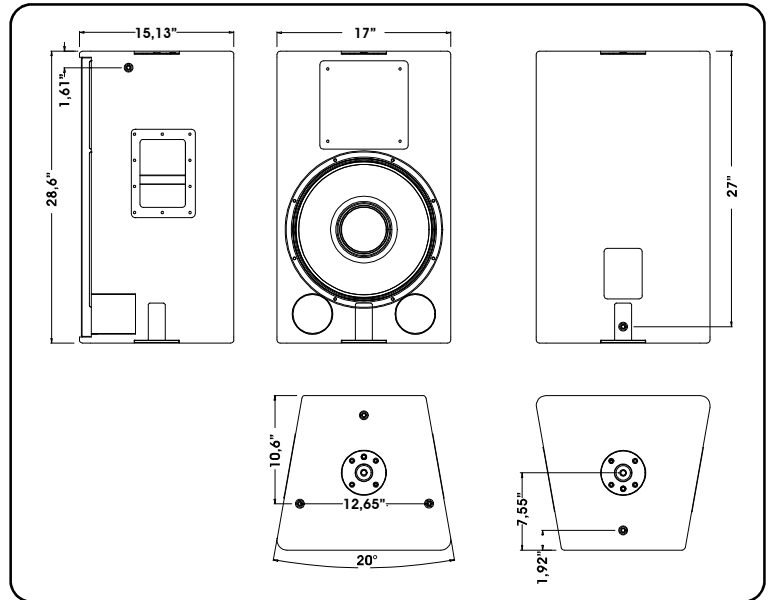
BLOCK DIAGRAM



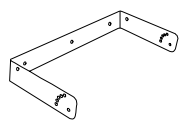
INPUT CONNECTORS



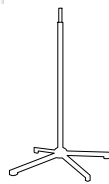
DIMENSION DRAWING



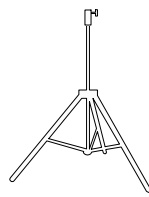
ACCESSORIES



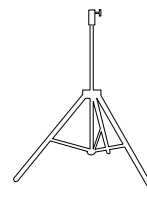
BOX 116
Mount for horizontal wall installation



SS2
Standard speaker floor stand



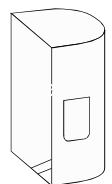
BOX 32BK
Adjustable aluminium floor stand, damped safety mechanism



BOX 22BK
Adjustable aluminium floor stand, Ø1.38" with Ø1" adapter



BOX 52BK
Adjustable for sub-satellite speaker connection, with safety locking device



V 48
Nylon case