

APPLICATIONS

- Live Sound P.A. System , D.J. System
- School & Corporate Audio Visual Sound Reinforcement
- Background Music/Announcement: Restaurants, Pubs
- Transportation Terminals, Clubs, Auditoriums, Theatres
- Gyms, Houses of Worship

FEATURES

- 0,7" birch plywood cabinet, internally braced to prevent undesired resonance and vibrations
- 15" B&C neodymium woofer
- 3" voice coil
- Control panel with stereo XLR inputs and link, Hi-pass filtered XLR outputs for mid-high satellite connection, volume, limiter, ground-lift, 0°-180° phase switch.
- Six M10 fly points
- Two metal handles
- High SPL capability: 133,5dB
- Completely Manufactured in Italy



PRODUCT DESCRIPTION

The FBT VERVE15SA bi-amplified subwoofer feature 0.7" Baltic birch plywood construction, covered in a scratch & scuff resistant black finish. The FBT VERVE15SA is a bass reflex design incorporating a 15" B&C neodymium woofer with 3" voice coil ideal companion of VERVE 12A, 10A, 12mA, 8mA. With a very generous low frequency response down to 40Hz the FBT VERVE15SA provides hi fidelity sound for both speech and music applications with a maximum SPL of 133,5dB. A front face steel grille protects the woofer from external damage. Six M10 fly points built in to the cabinet and two strategically placed metal carrying handles to easy transportability. A standard top mount 1,38" speaker stand socket allows satellite speakers to place above subwoofer cab on an adjustable satellite speaker pole mount. The control panel provides stereo XLR input and link, Hi-pass filtered XLR outputs for mid-high satellite connection, volume, limiter, ground-lift, 0°-180° phase switch.

ELECTRICAL PERFORMANCE

System Type:	Bass reflex
Internal Amplifier *	cont.: 500W RMS max.: 1000W RMS max. peak: 1600W RMS
Low Frequency Woofer	15" / 3" Coil
Input Impedance	22 kOhm
Frequency Response @ -6dB	40Hz - 200Hz
Input Sensitivity	0dBu line
Maximum SPL (continuous/peak) **	130.5dB / 133.5dB
Dispersion	Omnidirectional
Crossover Frequency	0,1 kHz
AC Power Requirement (continuous/peak)	500/2000VA

PHYSICAL

Input Connectors	XLR with loop
Net Dimensions (WxHxD)	17" x 21,3" x 21,6"
Shipping Dimensions (WxHxD)	21,1" x 24,6" x 24,6"
Net Weight	69,44 lbs
Shipping Weight	76,05 lbs
Enclosure Material	0,7" birch plywood
Grille	Steel with powder coat black paint finish
Power Supply Cable	16,4"

* CONT. : 500ms burst, rms power on nominal speaker impedance
MAX: 2ms burst, rms power on nominal speaker impedance
MAX PEAK: based on max peak output voltage and nominal speaker impedance

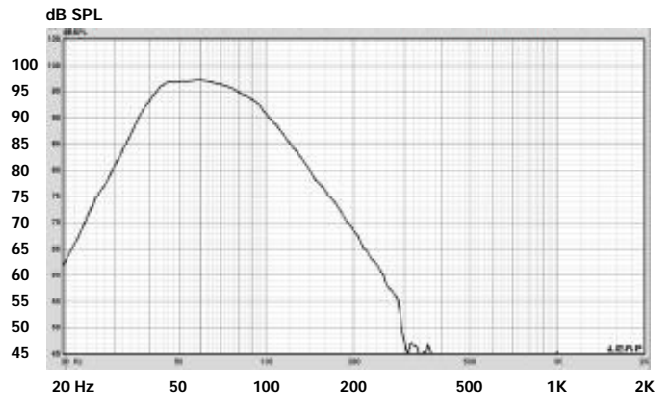
** CONT. SPL: free space, based on continuous power amp rating and LF transducer average sensitivity data, 125mS time average
PEAK SPL: free space, based on max. peak power amp rating and system peak sensitivity, 10mS time average

FBT

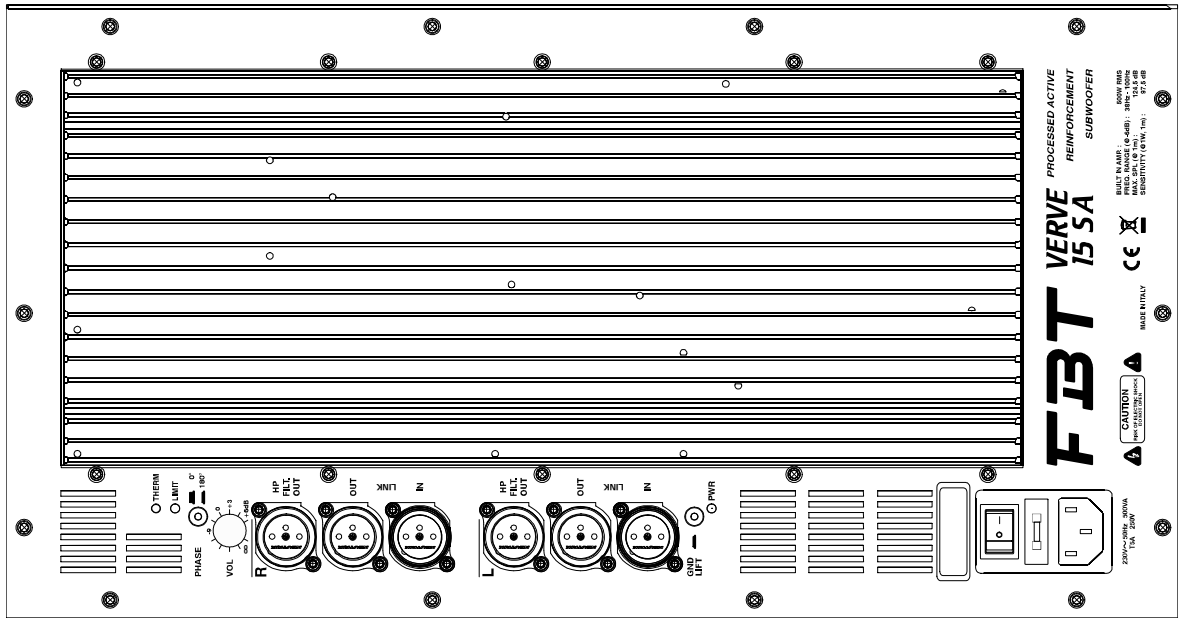
VERVE 15SA

Processed Active Reinforcement Subwoofer

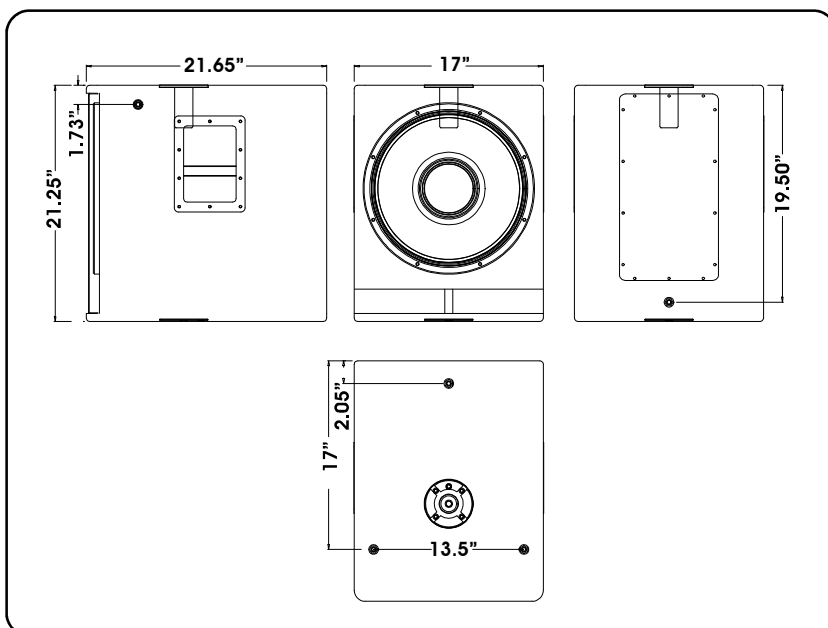
FREQUENCY RESPONSE



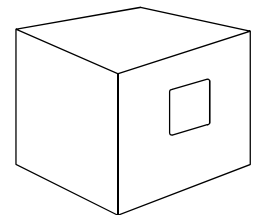
CONTROL PANEL



DIMENSION DRAWING



ACCESSORIES



V50
Nylon case