

# FBT jolly 8ra

## PROCESSED ACTIVE MONITOR

### APPLICATIONS

- Houses of Worship
- School & Corporate Audio Visual Sound Reinforcement
- Background Music/Announcement: Restaurants, Pubs
- Transportation Terminals, Clubs, Auditoriums, Theatres
- Live Sound Monitoring or Small P.A. System

### FEATURES

- Lightweight Polypropylene Cabinet, 13,69 lbs
- Bi amplified 80W RMS LF & 20W RMS class AB amp
- 8" low frequency woofer with 1.5" voice coil
- 1" tweeter + horn
- Control Panel with Volume control, Ground lift switch, Balanced Neutrik combo input jack: female XLR, 1/4" TRS, Balanced Neutrik XLR link out jack, power on led indicator
- Multiple mounting options: wall, ceiling, cluster, speaker stand, tripod microphone stand for near field monitoring use
- Two M6 fly points
- Optional Carrying Bags available for protection for portable use
- Available in black finish
- High SPL capability: 119dB
- Completely Manufactured in Italy



### PRODUCT DESCRIPTION

The FBT JOLLY series speakers feature lightweight, yet rugged gas injected molded polypropylene cabinet construction. Available in a black finish The FBT JOLLY 8RA series speakers modern cabinet appearance provides fixed installations with an elegant design that blends into any decor. With the use of optional accessories the FBT JOLLY 8RA speakers can be mounted on mic stands for many near field monitor applications, live sound and as a studio monitor. The FBT JOLLY 8RA is of two-way design incorporating an 8" low frequency woofer and a 1" high frequency driver coupled to a 90°H x 60°V horn. The active internal crossover is at a fixed frequency of 2.5k. With a frequency range of 70Hz-20kHz the JOLLY 8RA speakers provide hi fidelity sound for both speech and music applications with a maximum SPL of 119dB. A front face steel grille protects the speaker from external damage. FBT's A.D.A.P. Advanced Dynamic Active Protection circuitry protects speaker/driver components against failure. The bi amplified FBT JOLLY 8RA active speakers feature a 80W RMS class AB low frequency amp and a 20 W RMS class AB high frequency amp. The control panel features a volume control, a balanced Neutrik input combo jack, balanced XLR link output jack, ground lift switch and led power. The two M6 fly points built into the cabinets along with the optional mounting brackets allow the FBT JOLLY 8RA speakers to be surface mounted on walls or ceiling. For portable or fixed use the FBT JOLLY 8RA speakers can be mounted on speaker stands by using the optional adapters for vertical mounting.

### ELECTRICAL PERFORMANCE

System Type:	2 Way
Internal Amplifiers*	cont.: 80W+20W RMS max.: 80W+20W RMS max. peak: 160W+40W RMS
Low Frequency Woofer	8" - 1.5" coil
High Frequency Driver	1 x tweeter - 1" coil
Frequency Response @ -6dB	70Hz - 20kHz
Input Impedance	22kOhm
Maximum SPL (continuous/peak)**	114/119dB
Dispersion	90°H x 60°V
Crossover Frequency	active 2.5kHz
AC Power Requirement (continuous/peak)	70/140VA

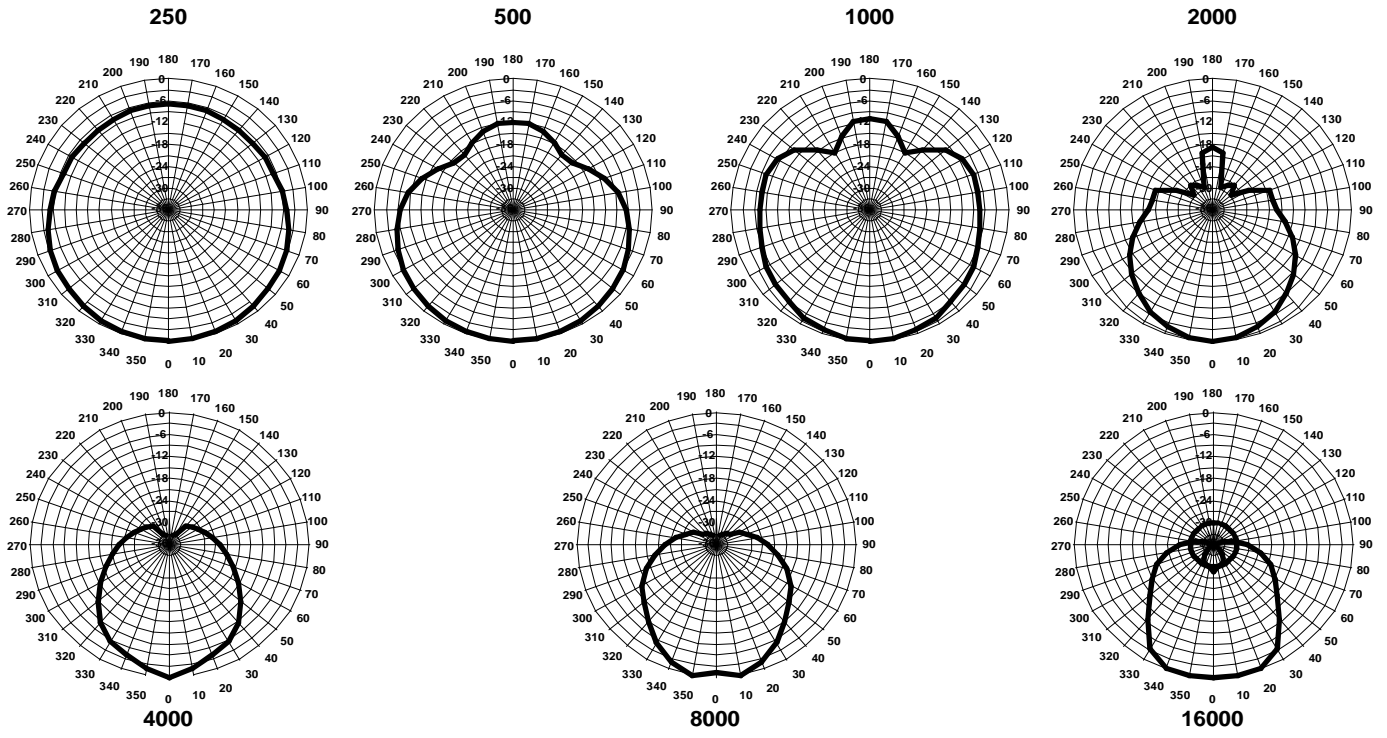
### PHYSICAL

Input Connectors	Balanced Neutrik Combo jack, XLR, 1/4" TRS
Net Dimensions (WxDxH)	10" x 16.3" x 9.6"
Shipping Dimensions (WxDxH)	13" x 18.9 x 12.6"
Net Weight	13.69 lbs
Shipping Weight	15.90 lbs
Enclosure Material	Polypropylene
Grille	Steel with powder coat black paint finish
Suspension Points	2 x M6
Power Supply Cable	197 inch

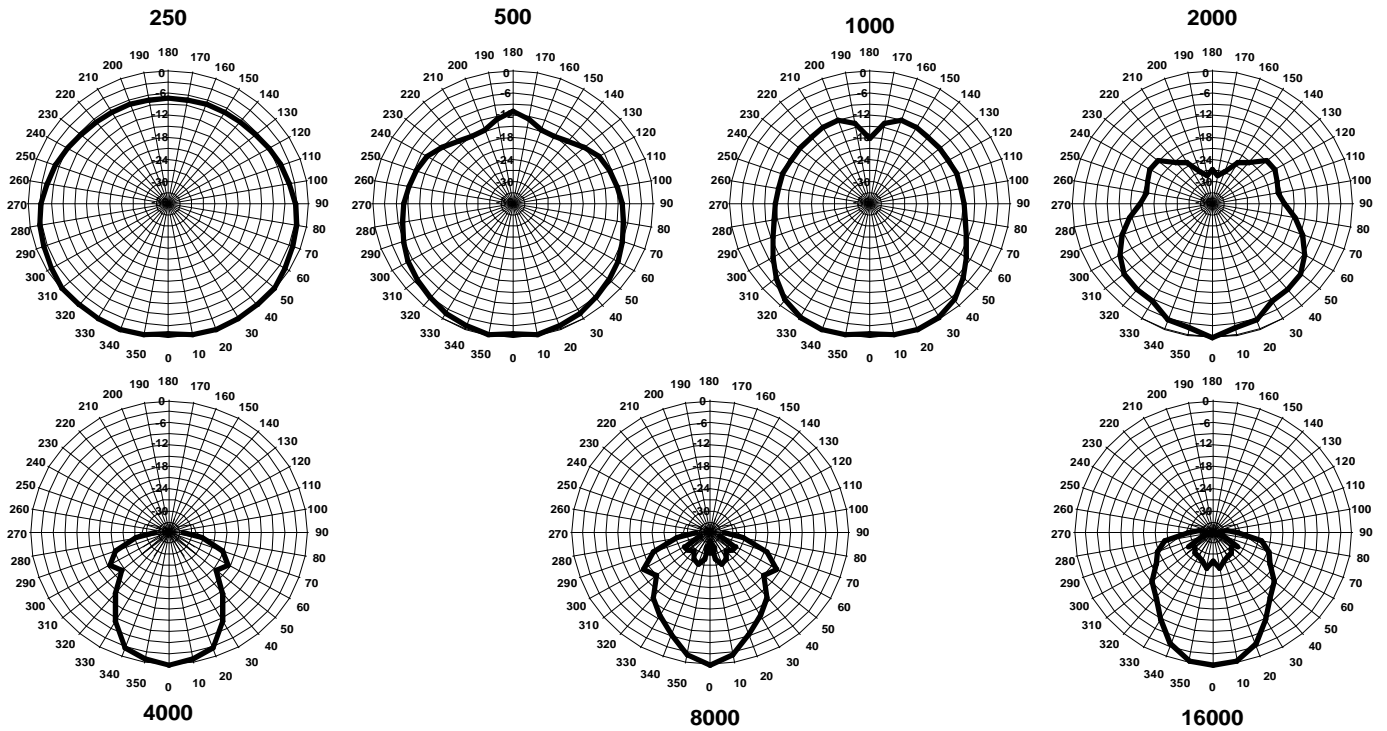
\* CONT. : 500ms burst, rms power on nominal speaker impedance  
MAX: 2ms burst, rms power on nominal speaker impedance  
MAX PEAK: based on max peak output voltage and nominal speaker impedance

\*\* CONT. SPL: free space, based on continuous power amp rating and LF transducer average sensitivity data, 125mS time average  
PEAK SPL: free space, based on max. peak power amp rating and system peak sensitivity, 10mS time average

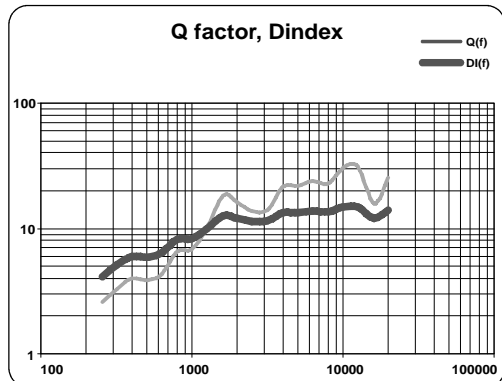
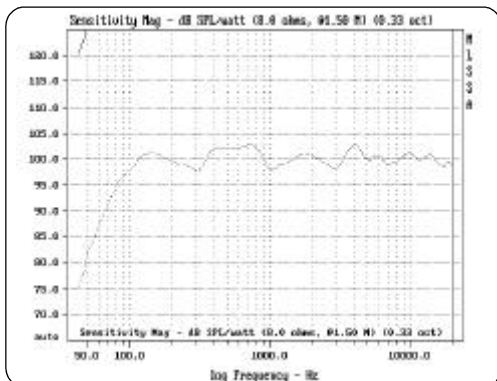
## HORIZONTAL POLAR DIAGRAM (Hz)



## VERTICAL POLAR DIAGRAM



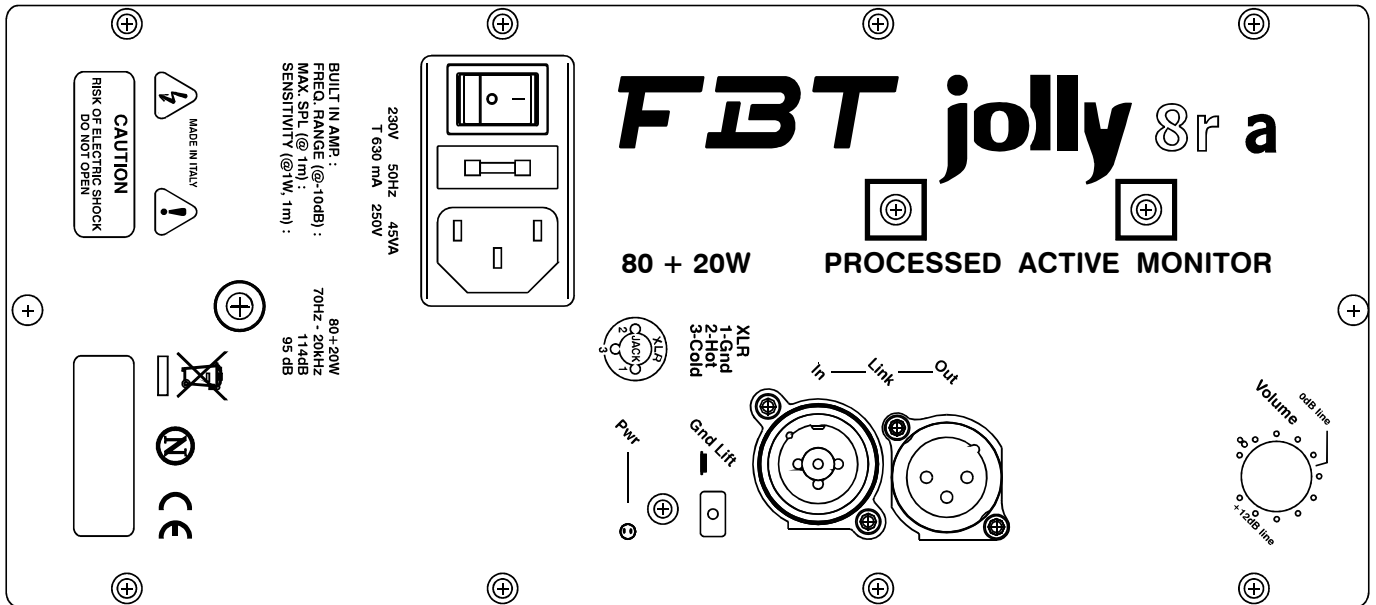
## FREQUENCY RESPONSE



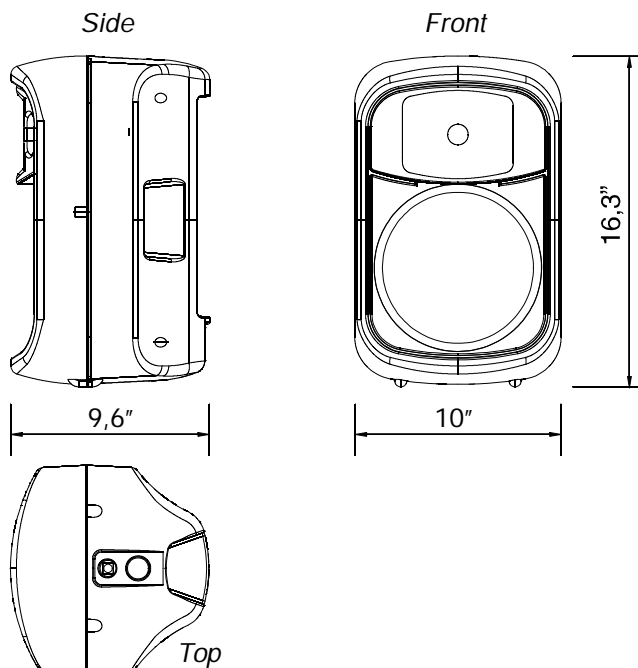
# FBT jolly 8r a

PROCESSED ACTIVE MONITOR

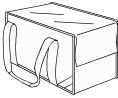
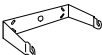
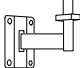
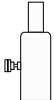
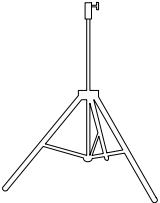
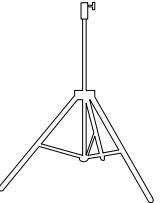


## CONTROL PANEL



## DIMENSION DRAWING



## ACCESSORIES

							
V37	S/J8U	S/J8	A/J8	BOX 32BK	BOX 22BK	BOX 52BK	S/J8T
Nylon bag x 2 pcs	Mount for horizontal wall installation	Directional wall mount with ange and swivel arm	35mm (1.38") ø to 25mm (1") ø adapter	Adjustable aluminium oor stand, damped safety mechanism. Max weight 70 kg (154 Lb)	Adjustable aluminium oor stand ø 35mm (1.38") with ø 25mm (1") adapter Max weight 40 kg (88 Lb)	Adjustable, for subsatellite speaker connection, with safety locking device ø 35mm (1,38")	Adjustable T-shaped support for 2 speaker cabinets