

FBT jolly 5r a

PROCESSED ACTIVE MONITOR

APPLICATIONS

- Houses of Worship
- School & Corporate Audio Visual Sound Reinforcement
- Background Music/Announcement: Restaurants, Pubs
- Transportation Terminals, Clubs, Auditoriums, Theatres
- Self Powered Live Sound Monitoring of Mini P.A. System

FEATURES

- Lightweight Polypropylene Cabinet, 7 lbs
- Self powered: 70W RMS amp
- 5" low frequency woofer with 1" voice coil
- 1" dome tweeter
- Control Panel with Volume control, Ground lift switch, Balanced Neutrik combo input jack: female XLR, 1/4" TRS, Balanced Neutrik XLR link out jack
- Multiple mounting options: "surface mountable on wall, ceiling, mountable on tripod microphone stand for near field monitoring use"
- Two M6 fly points
- Optional Carrying Bags available for protection for portable use
- Available in black finish only
- High SPL capability: 113dB
- Completely Manufactured in Italy



PRODUCT DESCRIPTION

The FBT JOLLY series speakers feature lightweight, yet rugged gas injected molded polypropylene cabinet construction. The JOLLY 5 series speakers modern cabinet appearance provides fixed installations with an elegant design that blends into any décor. With the use of optional accessories the FBT JOLLY 5RA speakers can be mounted on mic stands for many near field monitor applications, live sound and as a studiomonitor.

The FBT JOLLY 5RA is of two-way design incorporating an 5" low frequency woofer and a 1" mylar diaphragm dome tweeter. Cabinet dispersion is 90°H x 90°V allowing for wide pattern coverage. The active internal crossover is at a fixed frequency of 3.5k. With a frequency range of 90Hz-20kHz the JOLLY 5RA speakers provide hi fidelity sound for both speech and music applications with a maximum SPL of 113dB. A front face steel grille protects the speaker from external damage. FBT's A.D.A.P. Advanced Dynamic Active Protection circuitry protects speaker/driver components against failure. The amplified JOLLY 5RA active speakers feature a 70W RMS amp. The control panel features a volume control, a balanced Neutrik input combo jack, balanced XLR link output jack, ground lift switch and limiter led indicator. The two M6 fly points built into the cabinets along with the optional mounting brackets allow the FBT JOLLY 5RA speakers to be surface mounted on walls or ceiling. For portable or fixed use the FBT JOLLY 5RA speakers can be mounted on mic stands by using the optional adapters for vertical mounting.

ELECTRICAL PERFORMANCE

System Type:	2 Way
Internal Amplifiers*	cont.: 60W RMS max.: 70W RMS max. peak: 140W RMS
Low Frequency Woofer	1 x 5" - 2" coil
High Frequency Driver	1 x tweeter - 1" coil
Frequency Response @ -6dB	90Hz - 20kHz
Input Impedance	22kOhm
Maximum SPL (continuous/peak)**	110/113dB
Dispersion	90°H x 90°V
Crossover Frequency	passive 3,5kHz
AC Power Requirement (continuous/peak)	50/100VA

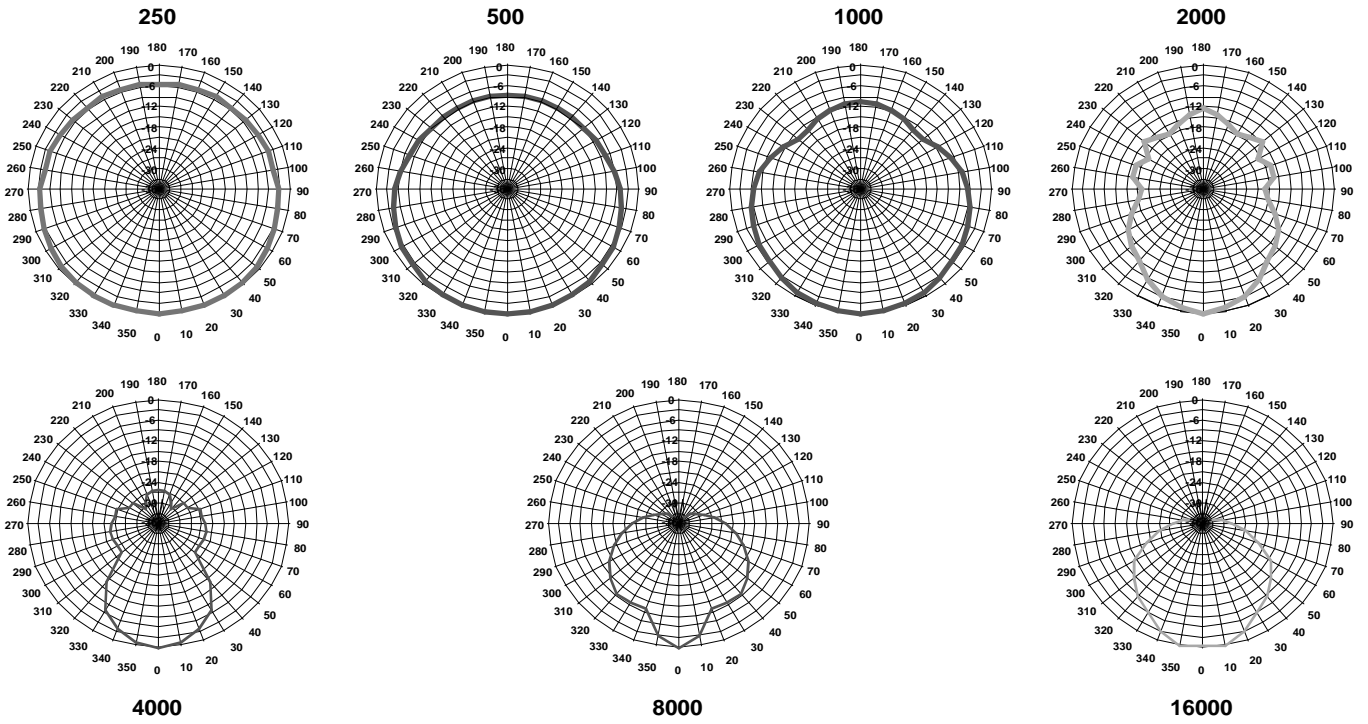
PHYSICAL

Input Connectors	Balanced Neutrik Combo jack / XLR
Net Dimensions (WxHxD)	6.7" x 10.9" x 7.1"
Shipping Dimensions (WxHxD)	9.4" x 13.6 x 9.2"
Net Weight	6.61 lbs
Shipping Weight	7.72 lbs
Enclosure Material	Polypropylene
Grille	Steel with powder coat black paint finish
Suspension Points	2 x M6
Power Supply Cable	197 inch

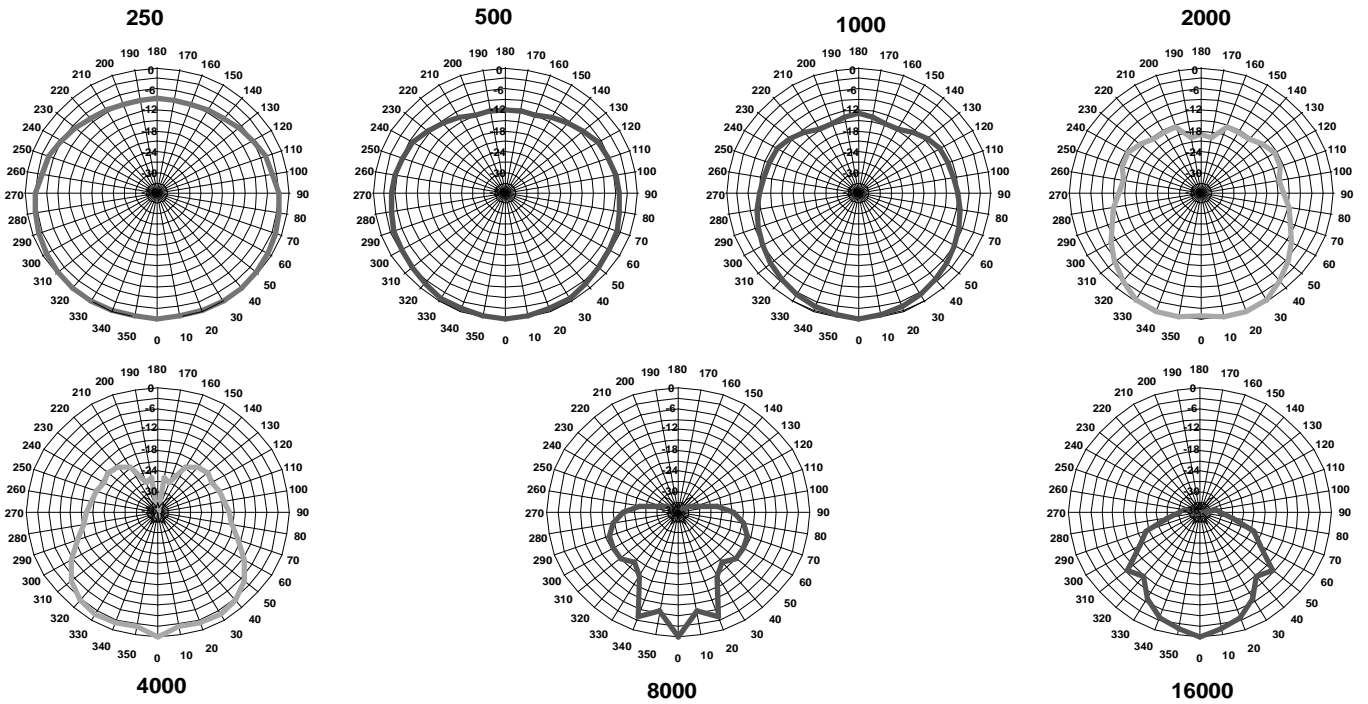
* CONT. : 500ms burst, rms power on nominal speaker impedance
MAX: 2ms burst, rms power on nominal speaker impedance
MAX PEAK: based on max peak output voltage and nominal speaker impedance

** CONT. SPL: free space, based on continuous power amp rating and LF transducer average sensitivity data, 125mS time average
PEAK SPL: free space, based on max. peak power amp rating and system peak sensitivity, 10mS time average

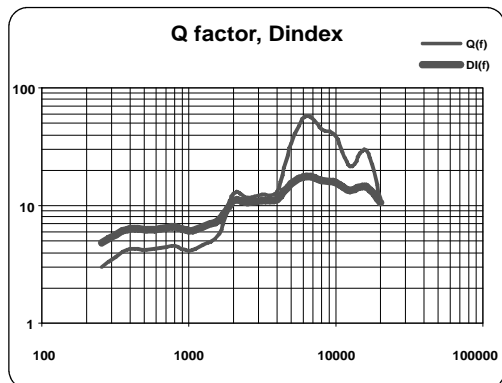
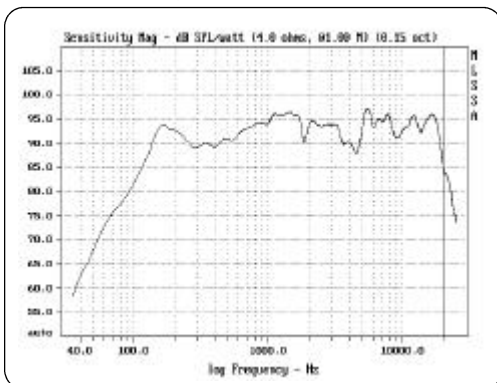
HORIZONTAL POLAR DIAGRAM (Hz)



VERTICAL POLAR DIAGRAM



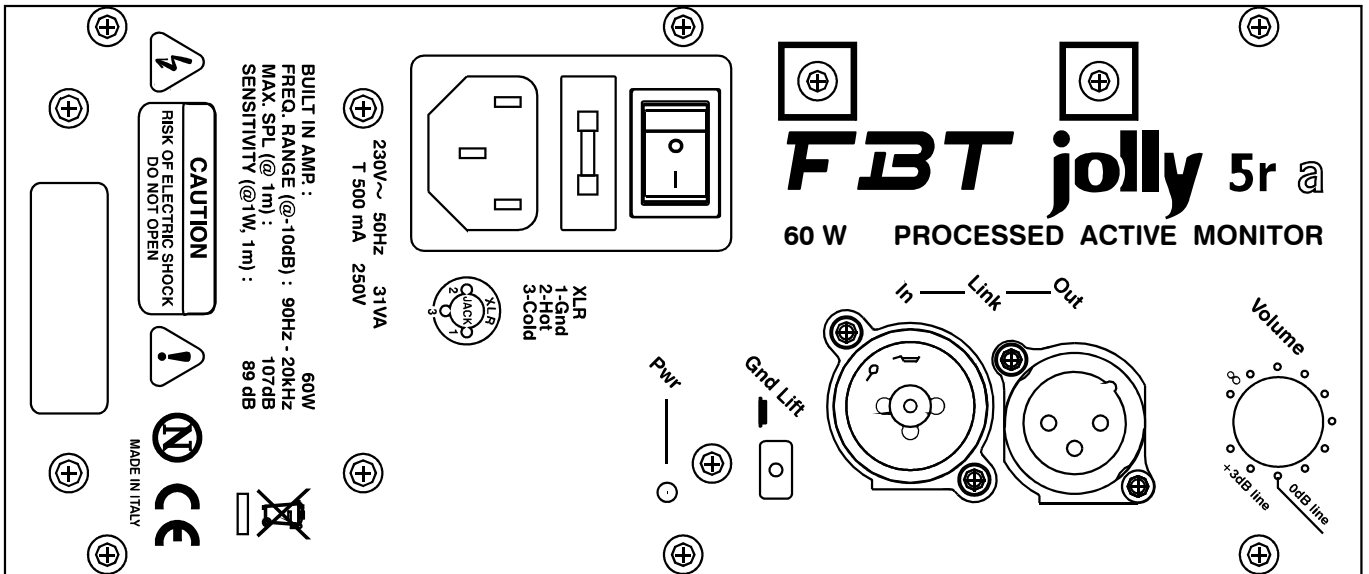
FREQUENCY RESPONSE



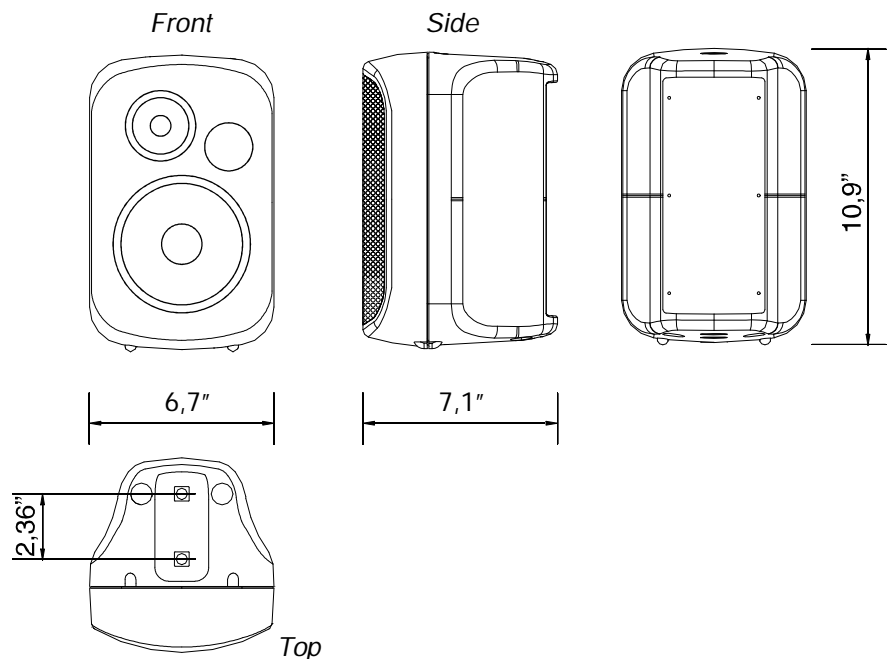
FBT jolly 5r a

PROCESSED ACTIVE MONITOR

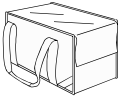

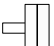
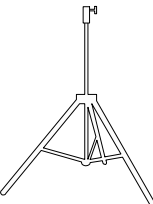
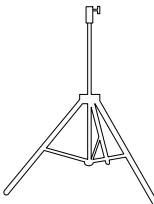
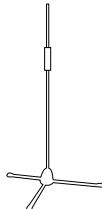


CONTROL PANEL



DIMENSION DRAWING



ACCESSORIES

							
V36 Nylon bag x 2 pcs	SJ5U-SJ5UW Mount for horizontal wall installation	A/J5 MS 30BK adapter	BOX 32BK Adjustable aluminium oor stand, damped safety mechanism. Max weight 70 kg (154 Lb)	BOX 22BK Adjustable aluminium oor stand ø 35mm (1.38") with ø 25mm (1") adapter. Max weight 40 kg (88 Lb)	MS 30BK Adjustable metal oor stand	BOX 52BK Adjustable, for subsatellite speaker connection, with safety locking device ø 35mm (1,38")	SJ5T Adjustable T-shaped support for 2 speaker cabinets