

# FBT jolly 15 r a

## PROCESSED ACTIVE MONITOR

### APPLICATIONS

- Houses ofWorship
- School & Corporate Audio Visual Sound Reinforcement
- Background Music/Announcement: Restaurants, Pubs
- Transportation Terminals, Clubs,Auditoriums, Theatres
- Live Sound P.A. System or Live SoundMonitor

### FEATURES

- Lightweight Polypropylene Cabinet, 43 lbs
- Bi-Amplified 180W RMS LF & 60W RMS HF
- 15" low frequency woofer with 2" voice coil
- 1" compression driver with 1" voice coil
- Control Panel with volume control, Ground lift switch, Balanced Neutrik combo input jack: female XLR, 1/4" TRS, Balanced Neutrik XLR link out jack, power on and Limiter led indicators
- Multiple mounting options: wall, ceiling, cluster, speaker stand
- Two M10 flypoints
- Optional Carrying Bags available for protection for portable use
- Available in black finish
- High SPL capability: 125dB
- Completely Manufactured in Italy



### PRODUCT DESCRIPTION

The FBT JOLLY series speakers feature lightweight, yet rugged gas injected molded polypropylene cabinet construction. Available in a black finish the FBT JOLLY 15RA series speakers modern cabinet appearance provides fixed installations with an elegant design that blends into any decor. The asymmetrical shape of the FBT JOLLY 15RA cabinet also allows use as a powered floor stage monitor. The FBT JOLLY 15RA is of two-way design incorporating an 15" low frequency woofer and a 1" high frequency driver coupled to a 90°H x 60°V horn. The active internal crossover is at a fixed frequency of 2k. With a frequency range of 60Hz-20kHz the FBT JOLLY 15RA speakers provide hi fidelity sound for both speech and music applications with a maximum SPL of 125dB. A front face steel grille protects the speaker from external damage. The bi amplified FBT JOLLY 15RA active speakers feature a 180W RMS low frequency amp and a 60 W RMS high frequency amp. The control panel features a volume control, a balanced Neutrik input combo jack, balanced XLR link output jack, ground lift switch, led power on and limiter led indicator. The two M10 fly points built into the cabinets along with the optional mounting brackets allow the FBT JOLLY 15RA speakers to be surface mounted on walls or ceiling. A standard 1.38" speaker stand socket allows the FBT JOLLY 15RA to be mounted on speaker stand

### ELECTRICAL PERFORMANCE

System Type:	2 Way
Internal Amplifiers *	cont.: 150W+50W RMS max.: 180W+60W RMS max. peak: 360W+120W RMS
Low Frequency Woofer	15" - 2" voice coil
High Frequency Driver	1" - 1" voice coil
Frequency Response @ -6dB	60Hz - 20kHz
Input Impedance	22kOhm
Maximum SPL (continuous/peak)**	121/125dB
Dispersion	90°H x 60°V
Crossover Frequency	active 2kHz
AC Power Requirement (continuous/peak)	150/360VA

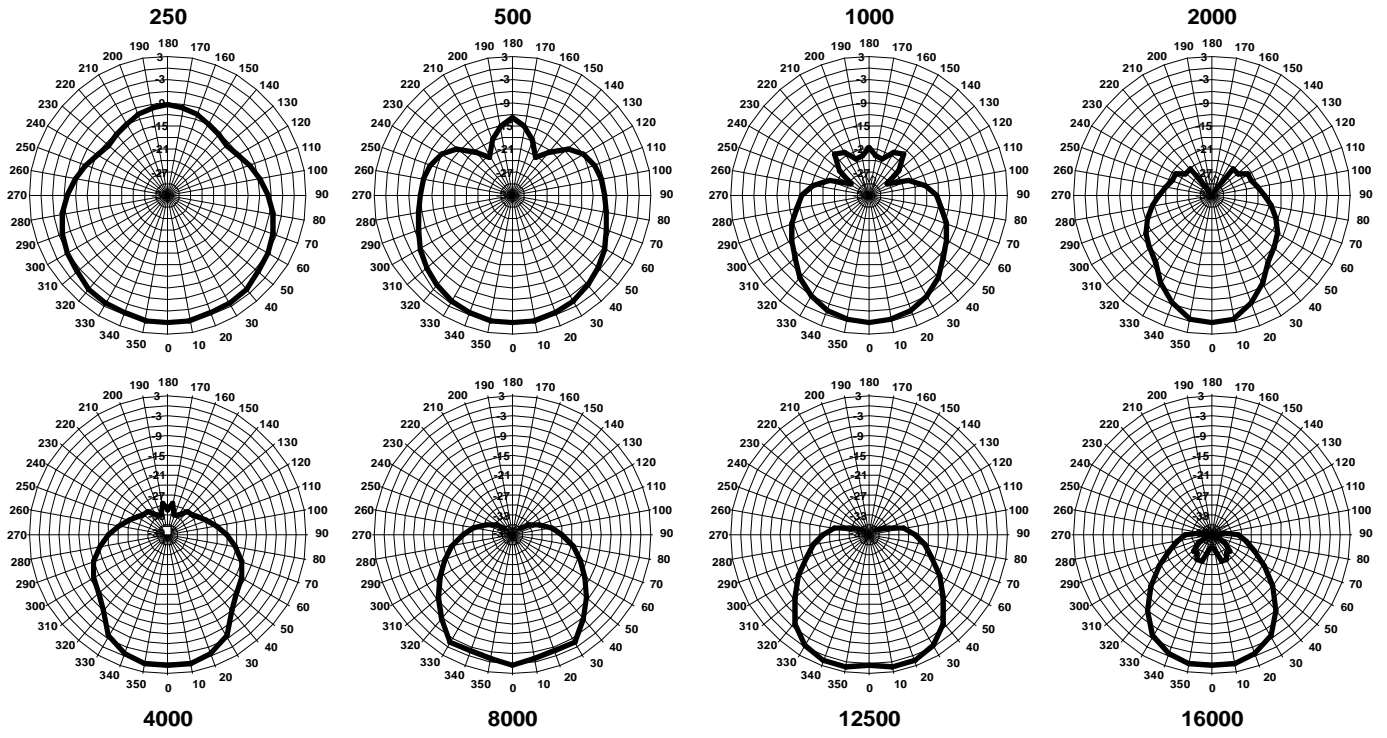
### PHYSICAL

Input Connectors	Balanced Neutrik Combo jack, XLR, 1/4" TRS
Net Dimensions (WxHxD)	16.1" x 26.1" x 14.2"
Shipping Dimensions (WxHxD)	19.5" x 29.1 x 18.7"
Net Weight	43 lbs
Shipping Weight	48.50 lbs
Enclosure Material	Polypropylene
Grille	Steel with powder coat black paint finish
Suspension Points	2 x M10
Power Supply Cable	197 inch

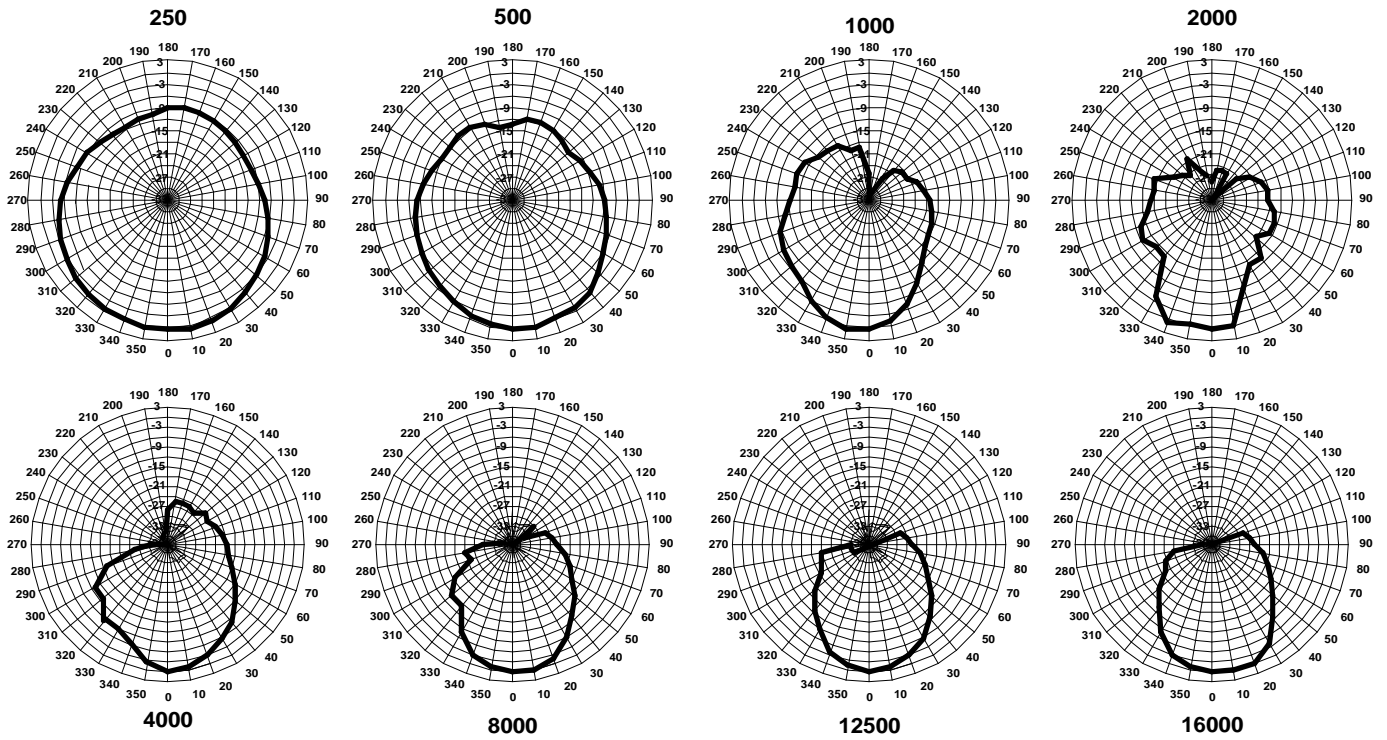
\* CONT. : 500ms burst, rms power on nominal speaker impedance  
MAX: 2ms burst, rms power on nominal speaker impedance  
MAX PEAK: based on max peak output voltage and nominal speaker impedance

\*\* CONT. SPL: free space, based on continuous power amp rating and LF transducer average sensitivity data, 125mS time average  
PEAK SPL: free space, based on max. peak power amp rating and system peak sensitivity, 10mS time average

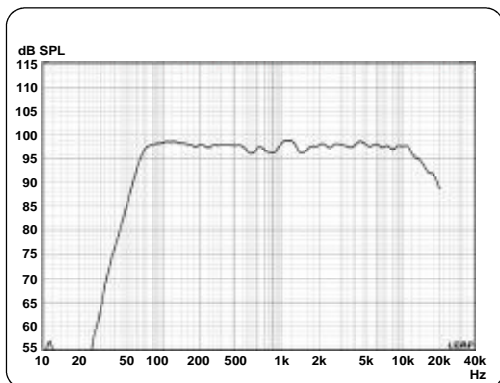
## HORIZONTAL POLAR DIAGRAM (Hz)



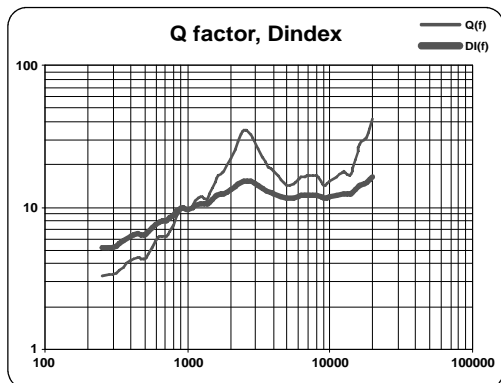
## VERTICAL POLAR DIAGRAM



## FREQUENCY RESPONSE



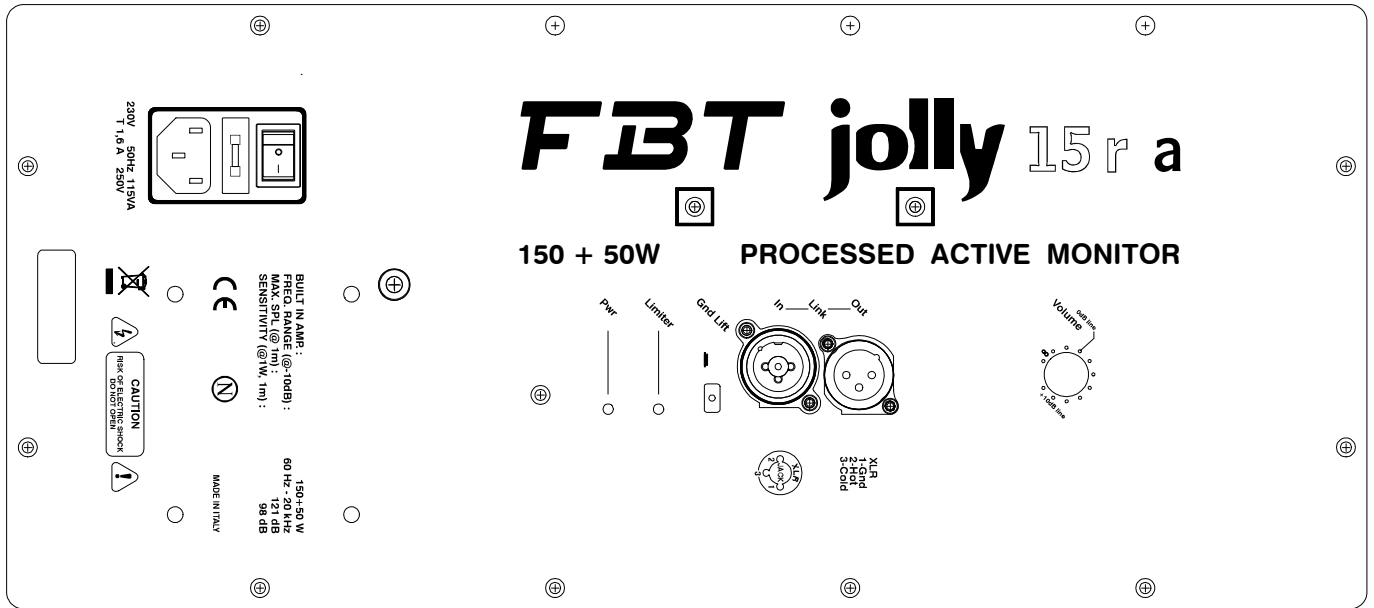
## Q factor, Dindex



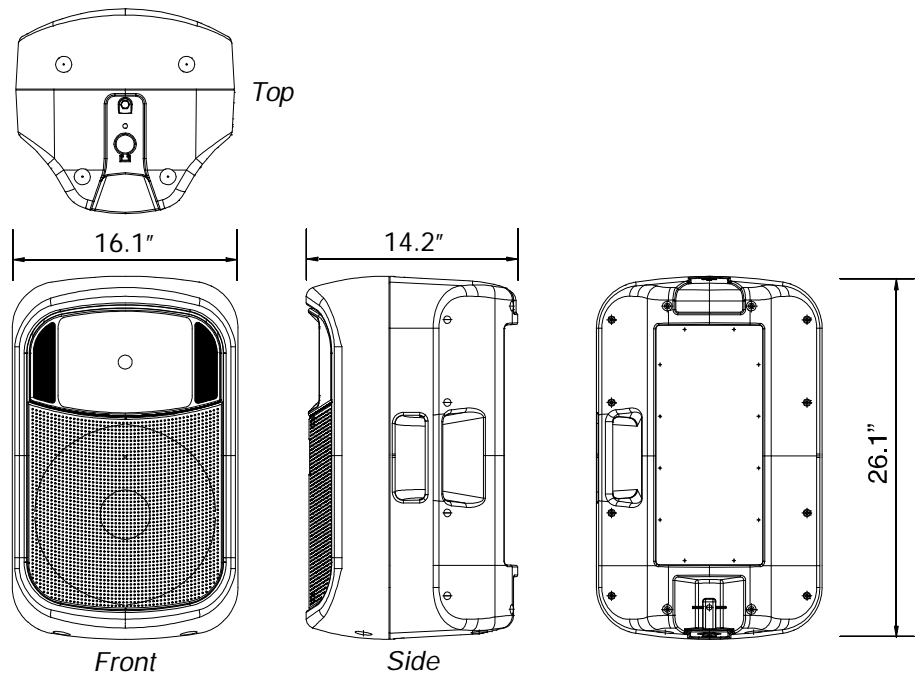
# FBT jolly 15 r a

PROCESSED ACTIVE MONITOR

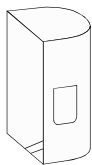
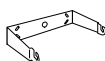
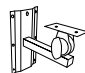
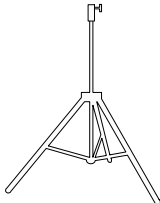
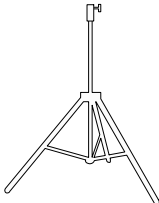

## CONTROL PANEL



## DIMENSION DRAWING



## ACCESSORIES

					
V38 Nylon case	BOX 112 Mount for horizontal wall	BOX 120 Directional wall mount	BOX 32BK Adjustable aluminium floor stand, damped safety mechanism. Max weight 70 kg (154 Lb)	BOX 22BK Adjustable aluminium floor stand $\varnothing$ 35mm (1.38") with $\varnothing$ 25mm (1") adapter. Max weight 40 kg (88 Lb)	BOX 52BK Adjustable, for subsatellite speaker connection, with safety locking device $\varnothing$ 35mm (1.38")