

FBT jolly 15b a

PROCESSED ACTIVE MONITOR

APPLICATIONS

- Houses of Worship
- School & Corporate Audio Visual Sound Reinforcement
- Background Music/Announcement: Restaurants, Pubs
- Transportation Terminals, Clubs, Auditoriums, Theatres
- Live Sound P.A. System or Live Sound Monitor

FEATURES

- Lightweight Polypropylene Cabinet, 43 lbs
- Bi amplified 320W RMS LF & 60W RMS HF
- 15" low frequency woofer with 2.5" voice coil
- 1" compression driver with 1" voice coil
- Control Panel with volume control, 2 band EQ, Ground lift switch, Balanced Neutrik combo input jack: female XLR, 1/4" TRS, Balanced Neutrik XLR link out jack, mic/line input switch, power on and Limiter led indicators
- Multiple mounting options: wall, ceiling, cluster, speaker stand
- Two M10 fly points
- Optional Carrying Bags available for protection for portable use
- Available in black finish
- High SPL capability: 127dB
- Completely Manufactured in Italy



PRODUCT DESCRIPTION

The FBT JOLLY series speakers feature lightweight, yet rugged gas injected molded polypropylene cabinet construction. Available in a black finish The FBT JOLLY 15BA series speakers modern cabinet appearance provides fixed installations with an elegant design that blends into any decor. The asymmetrical shape of the FBT JOLLY 15BA cabinet also allows use as a powered floor stage monitor. The FBT JOLLY 15BA is of two-way design incorporating an 15" low frequency woofer and a 1" high frequency driver coupled to a 90°H x 60°V horn. The active internal crossover is at a fixed frequency of 1.8k. With a frequency range of 50Hz-20kHz the FBT JOLLY 15BA speakers provide hi fidelity sound for both speech and music applications with a maximum SPL of 127dB. A front face steel grille protects the speaker from external damage. The bi amplified FBT JOLLY 15BA active speakers feature a 320W RMS low frequency amp and a 60 W RMS high frequency amp. The control panel features a volume control, 2 band EQ with ± 15 dB of cut/boost @80Hz LF and ± 15 dB cut/boost @10Hz HF, a balanced Neutrik input combo jack, balanced XLR link output jack, microphone/line input switch, ground lift switch, led power on and limiter led indicator. The two M10 fly points built into the cabinets along with the optional mounting brackets allow the FBT JOLLY 15BA speakers to be surface mounted on walls or ceiling. A standard 1.38" speaker stand socket allows the FBT JOLLY 15BA to be mounted on speaker stand

ELECTRICAL PERFORMANCE

System Type:	2 Way
Internal Amplifiers *	cont.: 300W+50W RMS max.: 320W+60W RMS max. peak: 640W+120W RMS
Low Frequency Woofer	15" - 2.5" voice coil
High Frequency Driver	1" - 1" voice coil
Frequency Response @ -6dB	50Hz - 20kHz
Input Impedance	22kOhm
Maximum SPL (continuous/peak) **	124/127dB
Dispersion	90°H x 60°V
Crossover Frequency	active 1.8kHz
AC Power Requirement (continuous/peak)	280/550VA

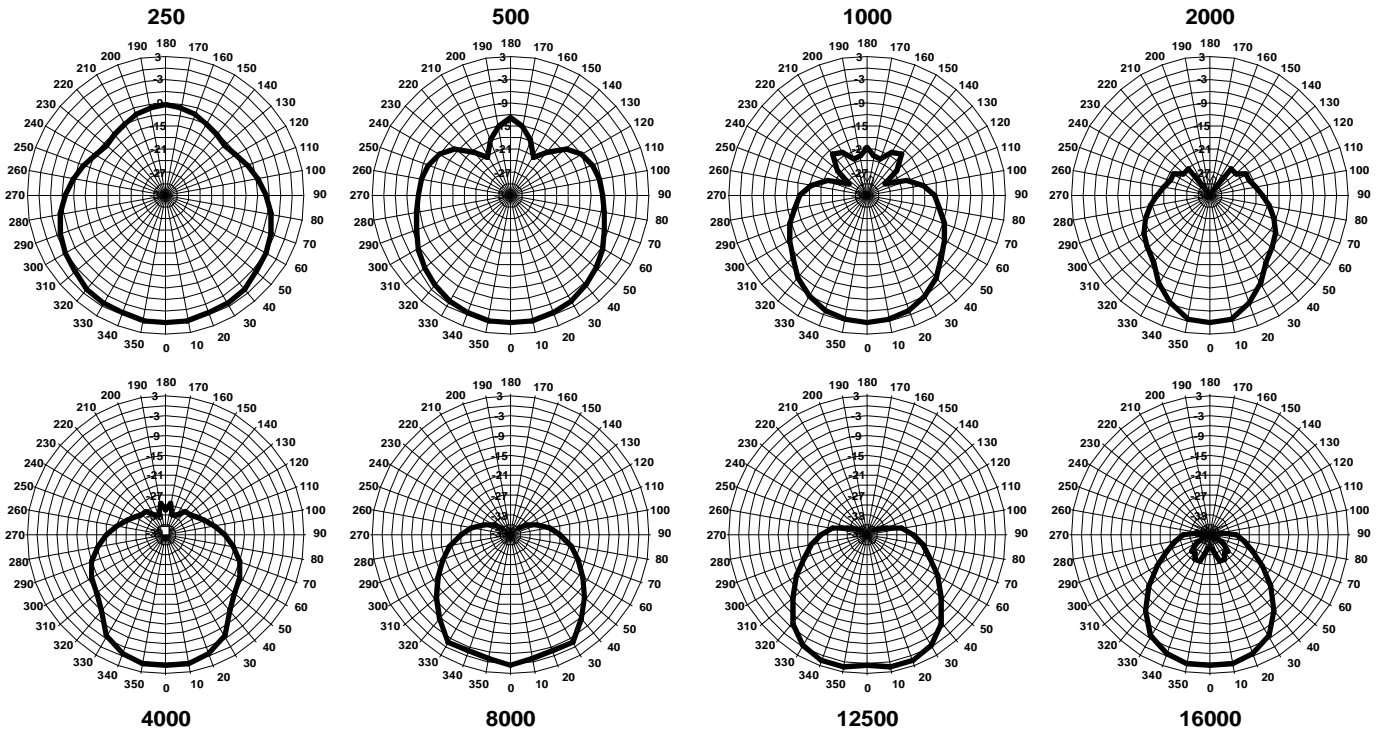
PHYSICAL

Input Connectors	Balanced Neutrik Combo jack, XLR, 1/4" TRS
Net Dimensions (WxHxD)	16.1" x 26.1" x 14.2"
Shipping Dimensions (WxHxD)	19.5" x 29.1 x 18.7"
Net Weight	43 lbs
Shipping Weight	48.50 lbs
Enclosure Material	Polypropylene
Grille	Steel with powder coat black paint finish
Suspension Points	2 x M10
Power Supply Cable	197 inch

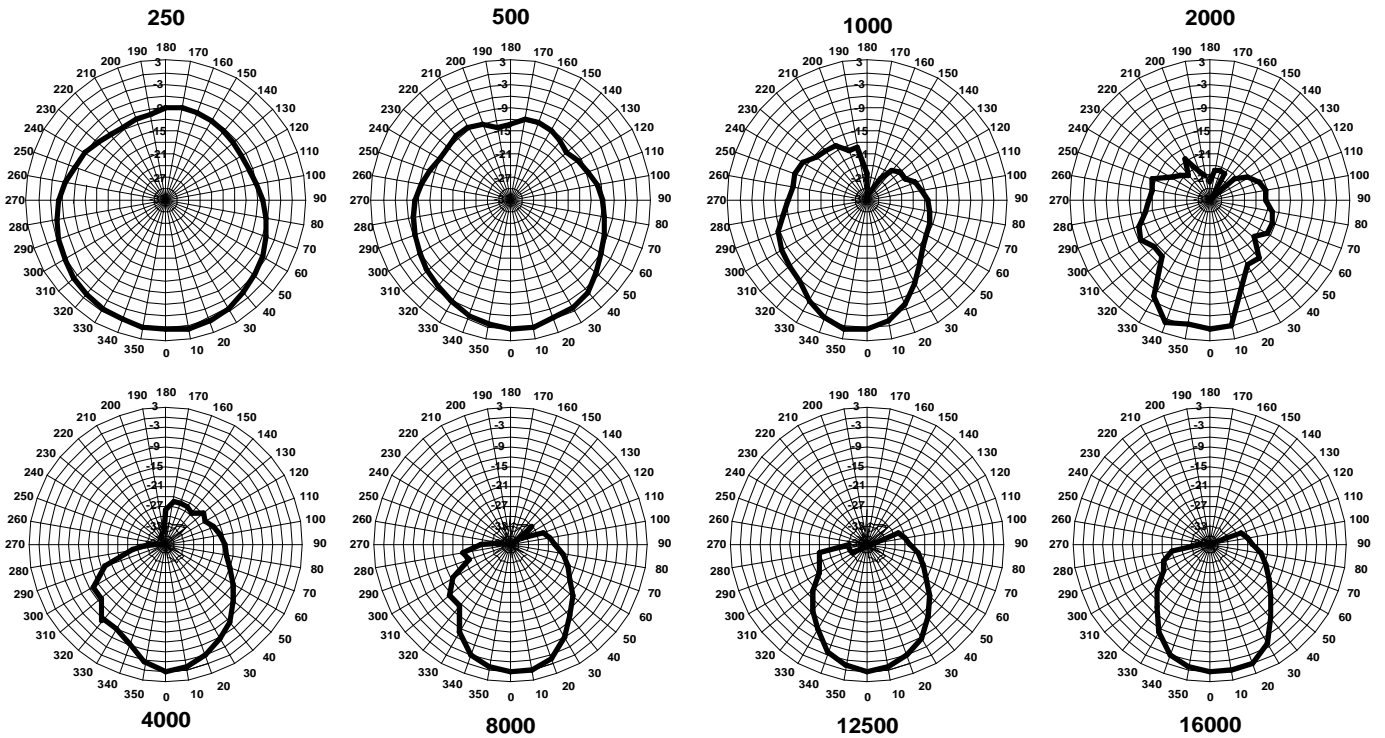
* CONT. : 500ms burst, rms power on nominal speaker impedance
MAX: 2ms burst, rms power on nominal speaker impedance
MAX PEAK: based on max peak output voltage and nominal speaker impedance

** CONT. SPL: free space, based on continuous power amp rating and LF transducer average sensitivity data, 125mS time average
PEAK SPL: free space, based on max. peak power amp rating and system peak sensitivity, 10mS time average

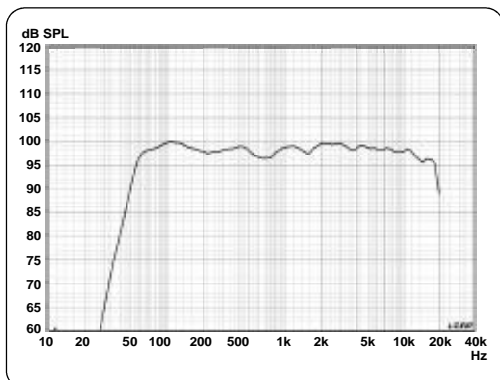
HORIZONTAL POLAR DIAGRAM (Hz)



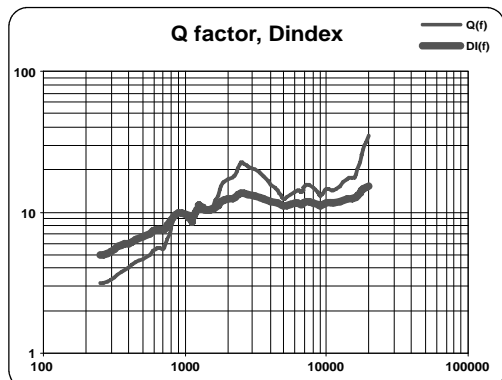
VERTICAL POLAR DIAGRAM



FREQUENCY RESPONSE



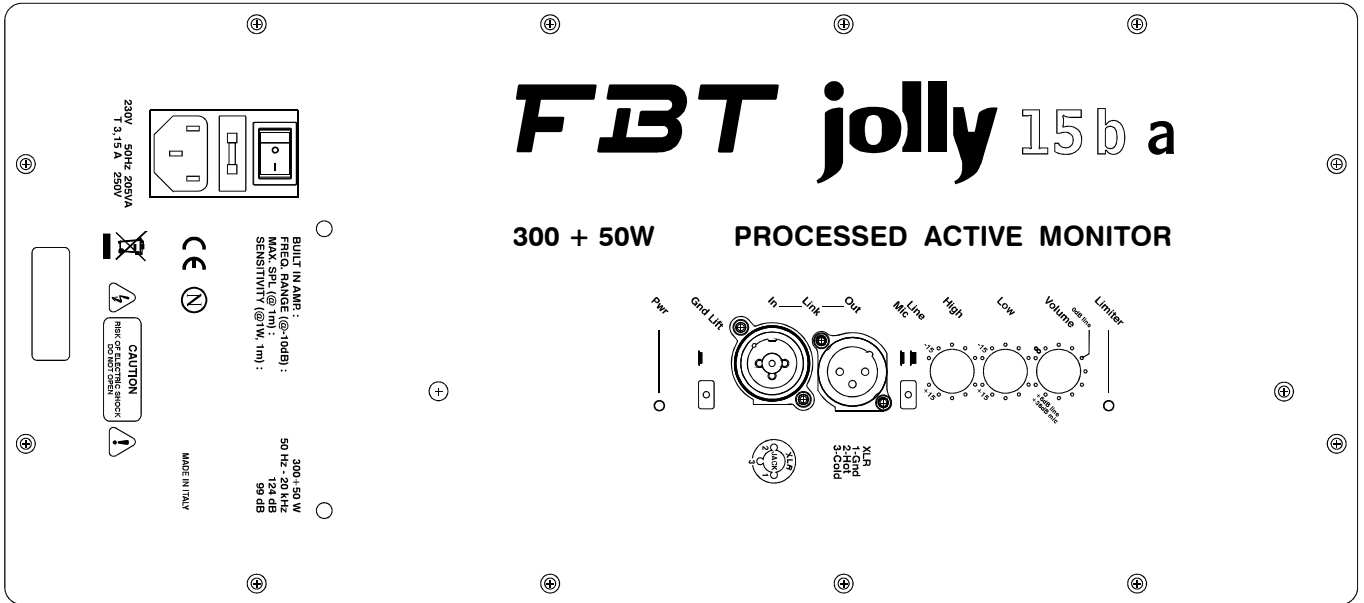
Q factor, Dindex



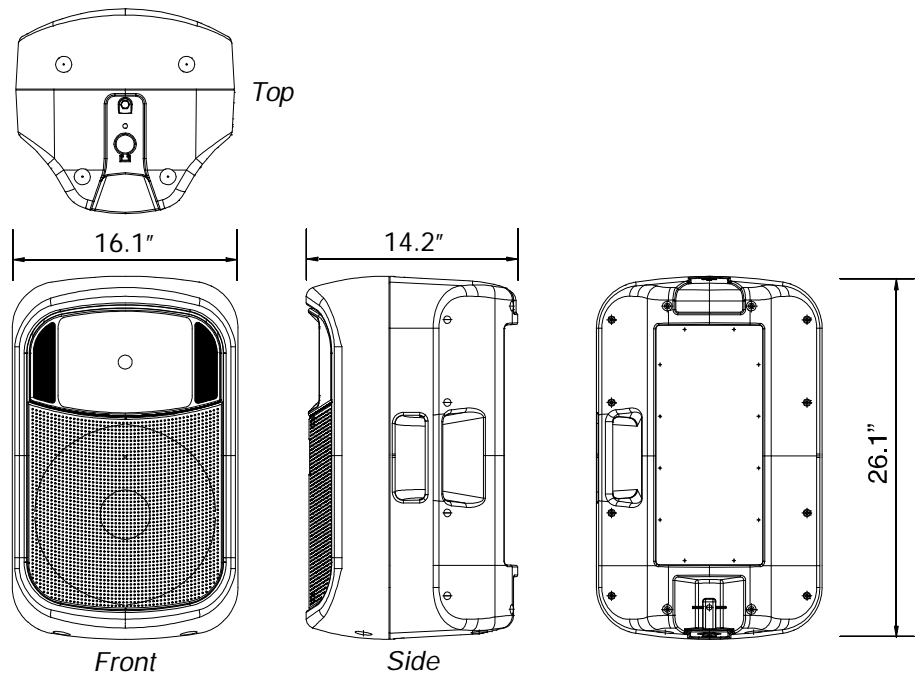
FBT jolly 15 b a

PROCESSED ACTIVE MONITOR

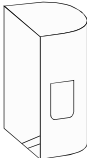
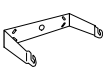
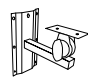
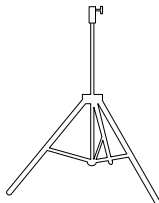
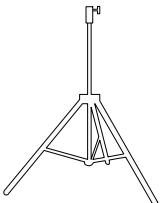

CONTROL PANEL



DIMENSION DRAWING



ACCESSORIES

					
V38	BOX 112	BOX 120	BOX 32BK	BOX 22BK	BOX 52BK
Nylon bag x 2 pcs installation	Mount for horizontal wall	Directional wall mount	Adjustable aluminium oor stand, damped safety mechanism. Max weight 70 kg (154 Lb)	Adjustable aluminium oor stand ø 35mm (1.38") with ø 25mm (1") adapter Max weight 40 kg (88 Lb)	Adjustable, for subsatellite speaker connection, with safety locking device ø 35mm (1,38")