

# FBT jolly 12r

250W SOUND REINFORCEMENT MONITOR

## APPLICATIONS

- Houses of Worship
- School & Corporate Audio Visual Sound Reinforcement
- Background Music/Announcement: Restaurants, Pubs
- Transportation Terminals, Clubs, Auditoriums, Theatres
- Live Sound P.A. System or Live Sound Monitor
- D.J. System

## FEATURES

- Lightweight Polypropylene Cabinet, 29.76 lbs
- Power handling: 250W RMS @ 8 Ohm
- 12" low frequency woofer with 2" voice coil
- 1" + horn
- Input panel with Neutrik Speakon NL-4 inp.
- Multiple mounting options: wall, ceiling, cluster, speaker stand
- Two M10 fly points
- Optional Carrying Bags available for protection for portable use
- Available in black finish only
- High SPL capability: 125dB
- Completely Manufactured in Italy



## PRODUCT DESCRIPTION

The FBT JOLLY series speakers feature lightweight, yet rugged gas injected molded polypropylene cabinet construction. Available in black finish the JOLLY 12R series speakers modern cabinet appearance provides fixed installations with an elegant design that blends into any decor. The asymmetrical shape of the FBT JOLLY 12R cabinet also allows use as a mini floor stage monitor. The FBT JOLLY 12R is of two-way design incorporating an 12" low frequency woofer and a 1" high frequency driver coupled to a 90°H x 60°V horn. The internal crossover is at a fixed frequency of 2.5k. With a frequency range of 60Hz-20kHz the JOLLY 12R speakers provide hi fidelity sound for both speech and music applications with a maximum SPL of 125dB. A front face steel grille protects the speaker from external damage. The two M10 fly points built into the cabinets along with the optional mounting brackets allow the FBT JOLLY 12R speakers to be surface mounted on walls or ceiling. For portable or fixed use the FBT JOLLY 12R speakers can be mounted on speaker stand by using the optional adapters for vertical mounting. The FBT JOLLY 12R speaker input panel features a Neutrik NL-4 speakon female input.

## ELECTRICAL PERFORMANCE

System Type:	2 Way
Recommended Amplifier	250W RMS
Long term applicable pwr. (AES)	125W
Short term applicable pwr. (IEC 268-5)	500W
Low Frequency Woofer	12" - 2" coil
High Frequency Driver	1" x horn - 1" coil
Frequency Response @ -6dB	60Hz - 20kHz
Nominal Impedance	8 Ohm
Maximum SPL (continuous/peak)*	122/125dB
Dispersion	90°H x 60°V
Crossover Frequency	2.5kHz

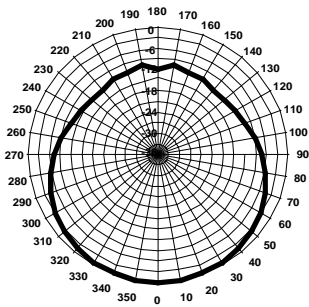
## PHYSICAL

Input Connectors	Neutrik NL-4 Speakon
Net Dimensions (WxHxD)	16.1" x 26.1" x 14.2"
Shipping Dimensions (WxHxD)	19.5" x 29.1" x 18.7"
Net Weight	29.76 lbs
Shipping Weight	35.27 lbs
Enclosure Material	Polypropylene
Grille	Steel with powder coat black paint finish
Suspension Points	2 x M10

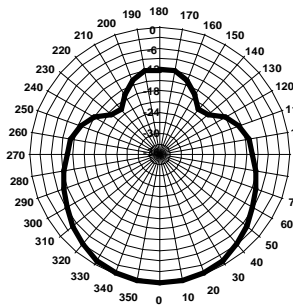
\* CONT. SPL: free space, based on recommended amp rating and LF transducer average sensitivity data, 125ms time average  
PEAK SPL: free space, based on short term applicable power rating and system peak sensitivity, 10ms time average

## HORIZONTAL POLAR DIAGRAM (Hz)

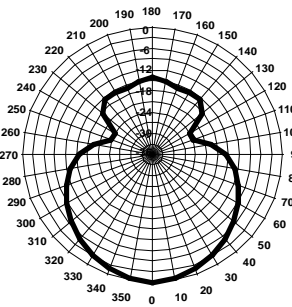
250



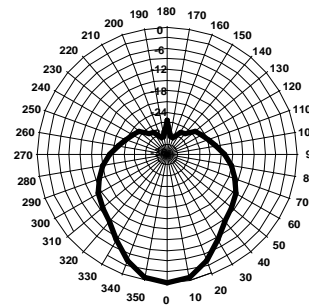
500



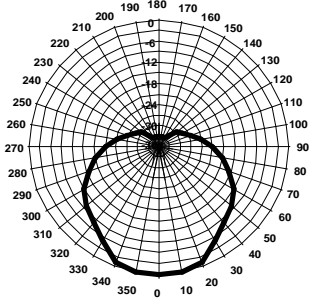
1000



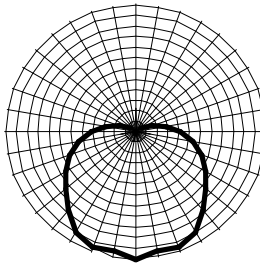
2000



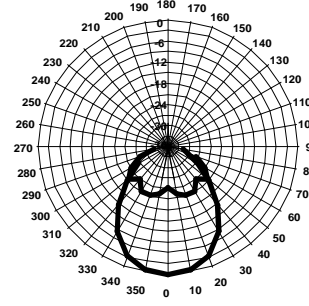
4000



8000

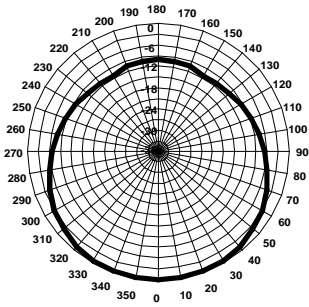


16000

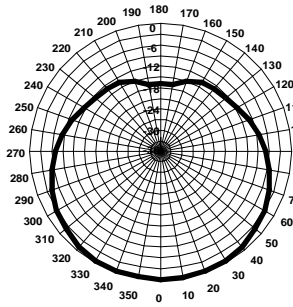


## VERTICAL POLAR DIAGRAM

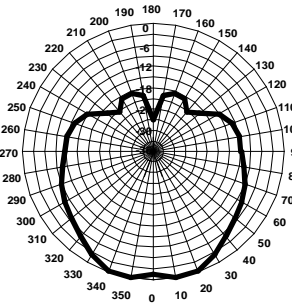
250



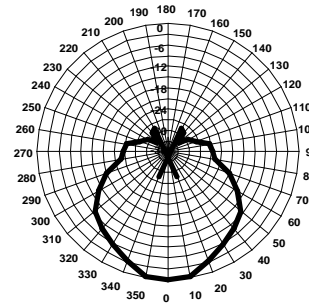
500



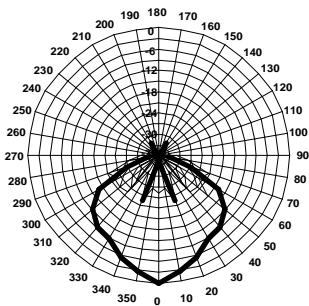
1000



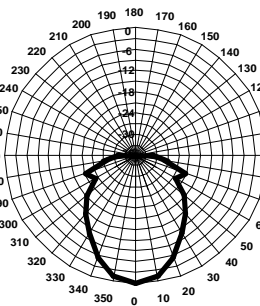
2000



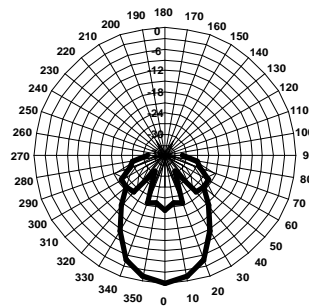
4000



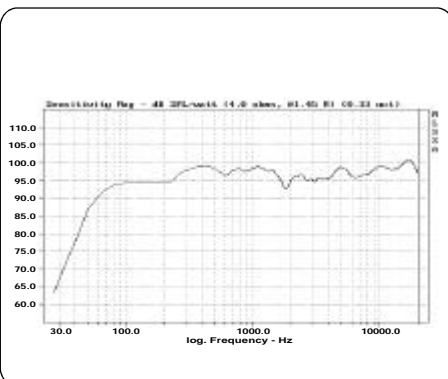
8000



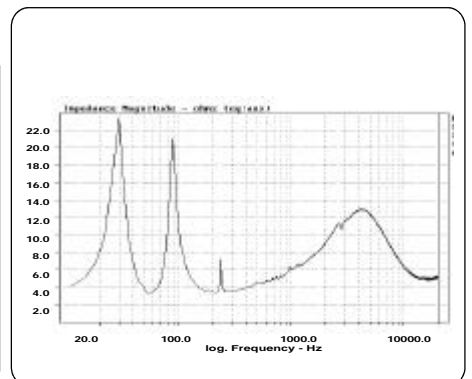
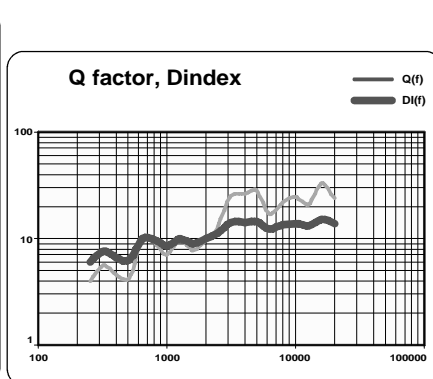
16000



### FREQUENCY RESPONSE



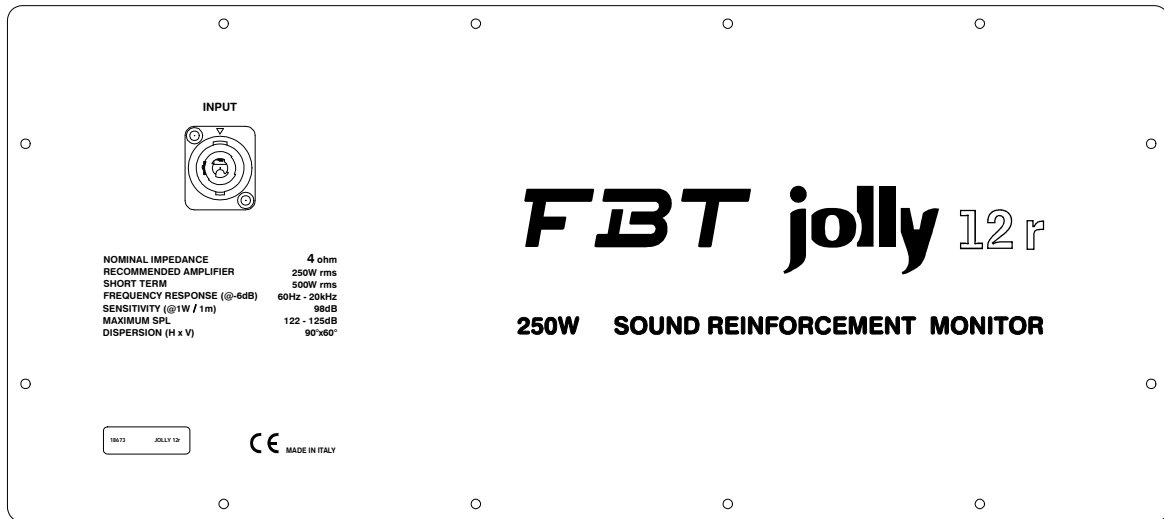
### INPUT IMPEDANCE



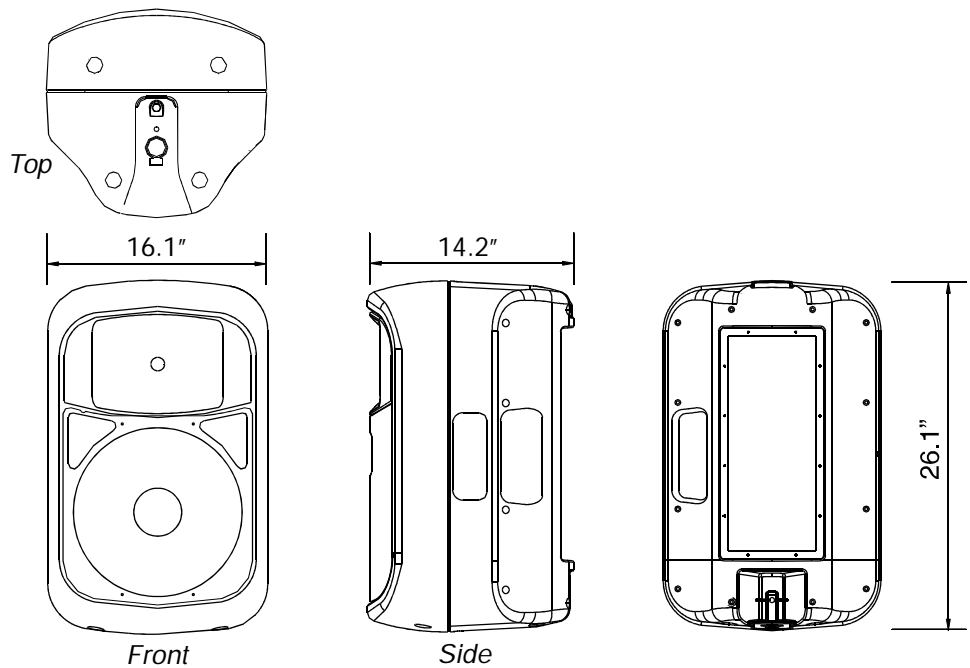
# FBT jolly 12r

250W SOUND REINFORCEMENT MONITOR

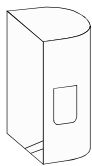
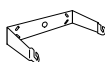
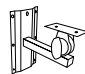
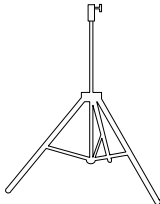
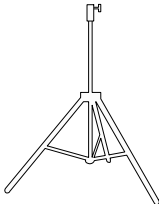

## CONTROL PANEL



## DIMENSION DRAWING



## ACCESSORIES

					
V38	BOX 112	BOX 120	BOX 32BK	BOX 22BK	BOX 52BK
Nylon case	Mount for horizontal wall	Directional wall mount	Adjustable aluminium oor stand, damped safety mechanism. Max weight 70 kg (154 Lb)	Adjustable aluminium oor stand ø 35mm (1.38") with ø 25mm (1") adapter. Max weight 40 kg (88 Lb)	Adjustable, for subsatellite speaker connection, with safety locking device ø 35mm (1.38")