

FBT jolly 12ra

PROCESSED ACTIVE MONITOR

APPLICATIONS

- Houses ofWorship
- School & CorporateAudio Visual Sound Reinforcement
- Background Music/Announcement: Restaurants, Pubs
- Transportation Terminals, Clubs,Auditoriums, Theatres
- Live Sound P.A. System or Live SoundMonitor

FEATURES

- Lightweight Polypropylene Cabinet, 35.27 lbs
- Bi amplified 180W RMS LF & 60W RMS HF
- 12" low frequency woofer with 2" voice coil
- 1" compression driver with 1" voice coil
- Control Panel with Volume control,Ground lift switch, Balanced Neutrik combo input jack: female XLR, 1/4" TRS, Balanced Neutrik XLR link out jack, power on and Limiter led indicators
- Multiple mounting options: wall, ceiling, cluster, speaker stand
- TwoM10flypoints
- Optional Carrying Bags available for protection for portable use
- Available in black finish
- High SPL capability: 124dB
- Completely Manufactured in Italy



PRODUCT DESCRIPTION

The FBT JOLLY series speakers feature lightweight, yet rugged gas injected molded polypropylene cabinet construction. Available in a black finish The FBT JOLLY 12RA series speakers modern cabinet appearance provides fixed installations with an elegant design that blends into any decor. The asymmetrical shape of the FBT JOLLY 12RA cabinet also allows use as a powered floor stage monitor. The FBT JOLLY 12RA is of two-way design incorporating an 12" low frequency woofer and a 1" high frequency driver coupled to a 90°H x 60°V horn. The active internal crossover is at a fixed frequency of 2k. With a frequency range of 60Hz-20kHz the FBT JOLLY 12RA speakers provide hi fidelity sound for both speech and music applications with a maximum SPL of 124dB. A front face steel grille protects the speaker from external damage. FBT's A.D.A.P. Advanced Dynamic Active Protection circuitry protects speaker/driver components against failure. The bi amplified FBT JOLLY 12RA active speakers feature a 180W RMS low frequency amp and a 60 W RMS high frequency amp. The control panel features a volume control, a balanced Neutrik input combo jack, balanced XLR link output jack, ground lift switch, led power on and limiter led indicator. The two M10 fly points built into the cabinets along with the optional mounting brackets allow the FBT JOLLY 12RA speakers to be surface mounted on walls or ceiling. A standard 1.38" speaker stand socket allows the FBT JOLLY 12RA to be mounted on speaker stand

ELECTRICAL PERFORMANCE

System Type:	2 Way
Internal Amplifiers *	cont.: 150W+50W RMS max.: 180W+60W RMS max. peak: 360W+120W RMS
Low Frequency Woofer	12" - 2" voice coil
High Frequency Driver	1" - 1" voice coil
Frequency Response @ -6dB	60Hz - 20kHz
Input Impedance	22kOhm
Maximum SPL (continuous/peak) **	120/124dB
Dispersion	90°H x 60°V
Crossover Frequency	active 2kHz
AC Power Requirement (continuous/peak)	150/360VA

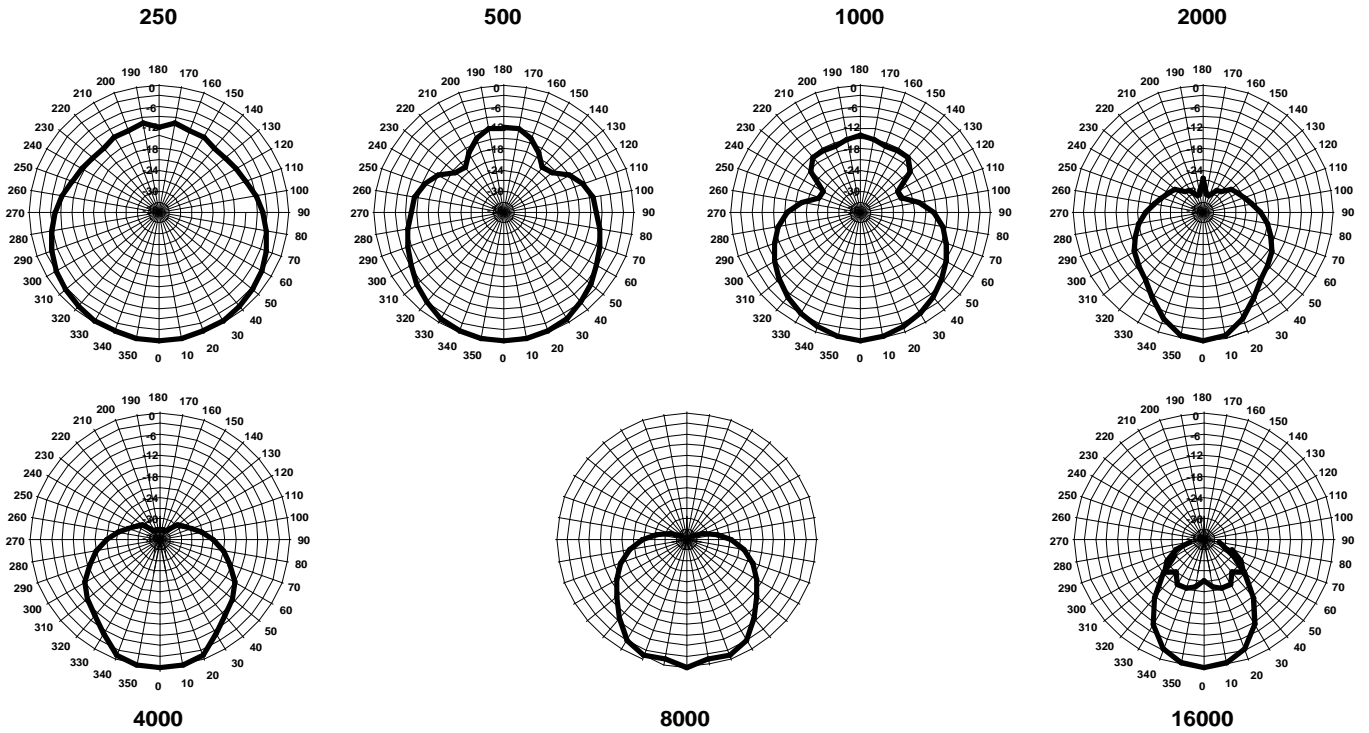
PHYSICAL

Input Connectors	Balanced Neutrik Combo jack, XLR, 1/4" TRS
Net Dimensions (WxHxD)	16.1" x 26.1" x 14.2"
Shipping Dimensions (WxHxD)	19.5" x 29.1 x 18.7"
Net Weight	35.27 lbs
Shipping Weight	40.79 lbs
Enclosure Material	Polypropylene
Grille	Steel with powder coat black paint finish
Suspension Points	2 x M10
Power Supply Cable	197 inch

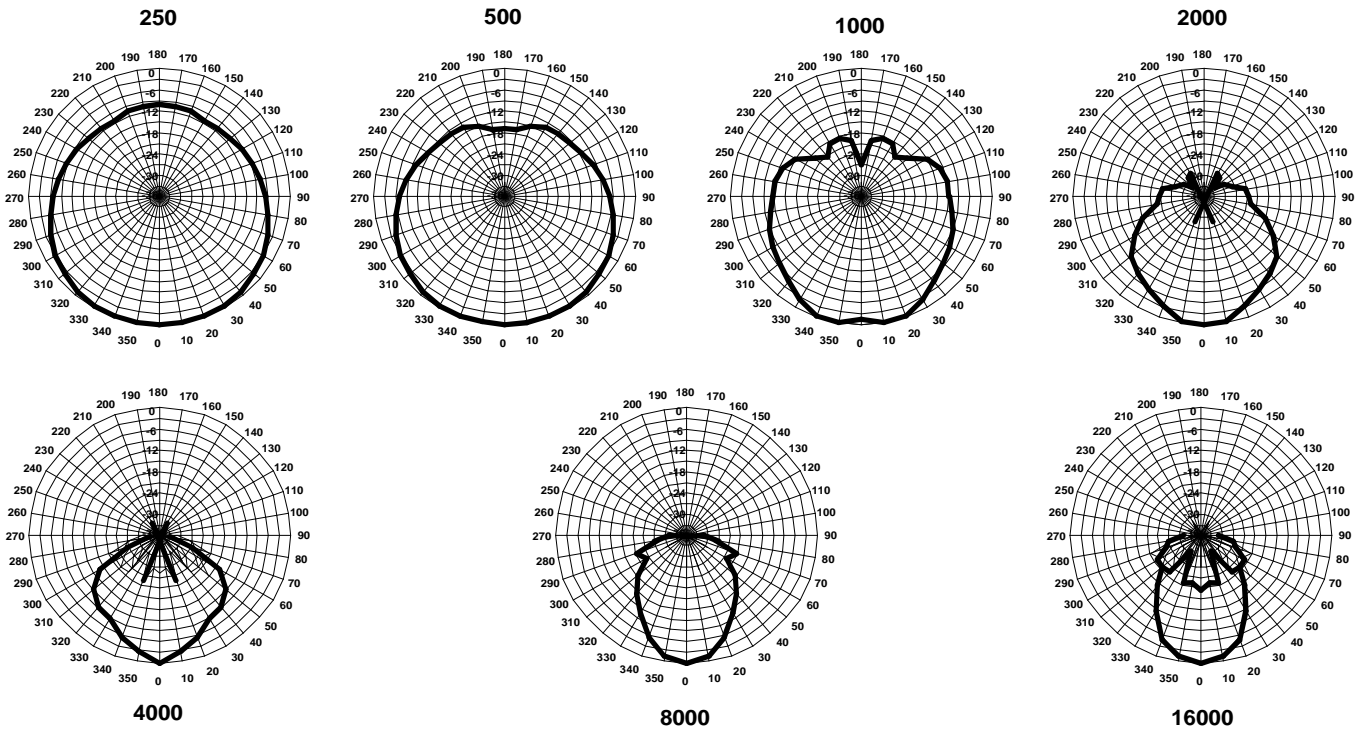
* CONT. : 500ms burst, rms power on nominal speaker impedance
MAX: 2ms burst, rms power on nominal speaker impedance
MAX PEAK: based on max peak output voltage and nominal speaker impedance

** CONT. SPL: free space, based on continuous power amp rating and LF transducer average sensitivity data, 125mS time average
PEAK SPL: free space, based on max. peak power amp rating and system peak sensitivity, 10mS time average

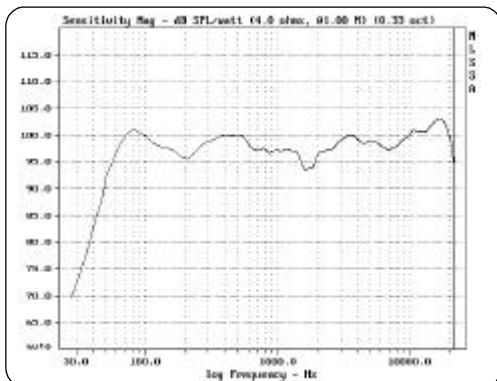
HORIZONTAL POLAR DIAGRAM (Hz)



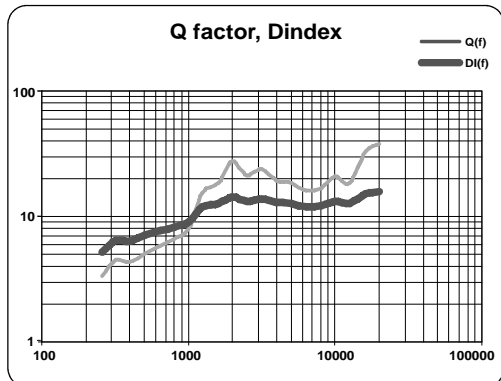
VERTICAL POLAR DIAGRAM



FREQUENCY RESPONSE



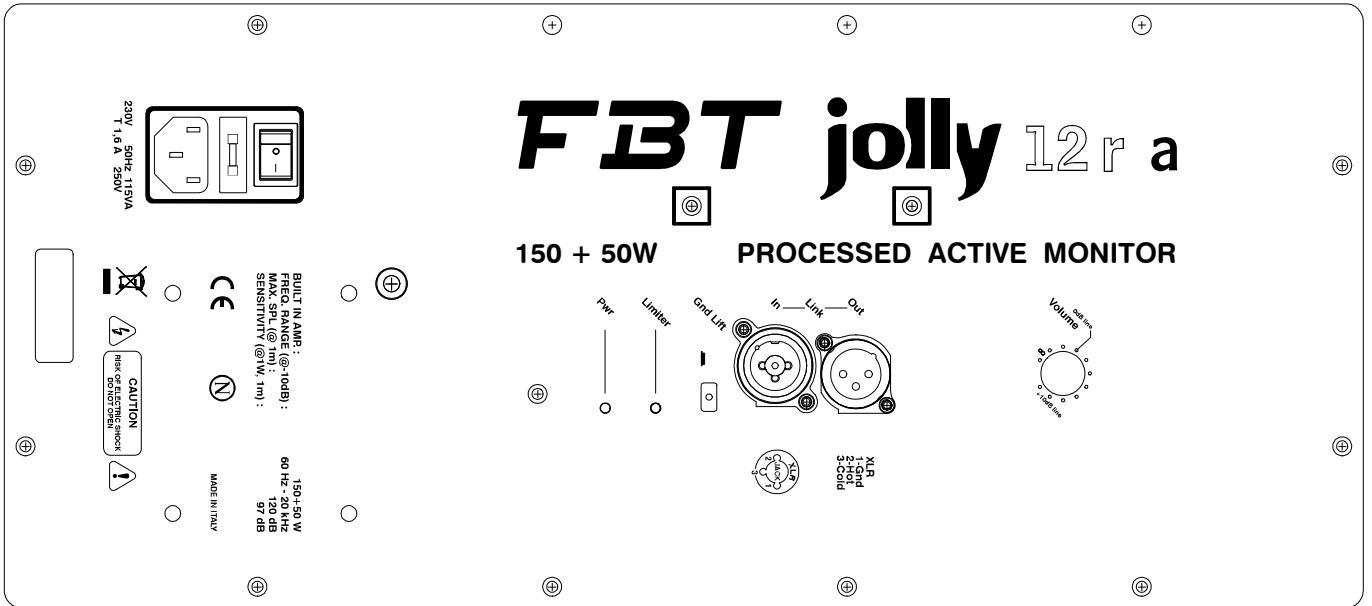
Q factor, Dindex



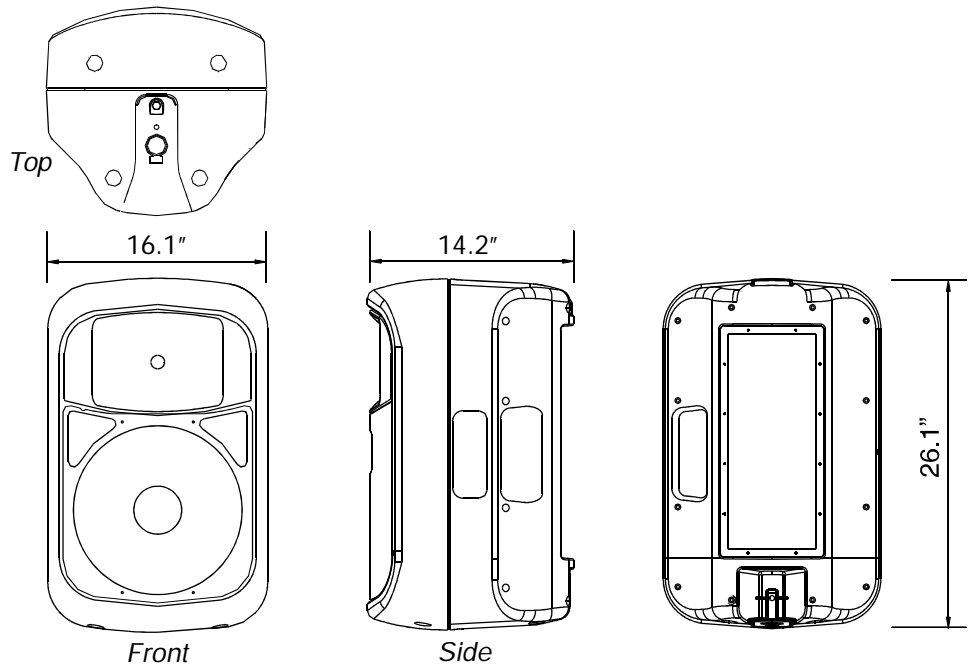
FBT jolly 12r a

PROCESSED ACTIVE MONITOR

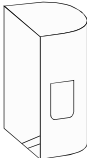
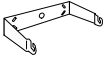
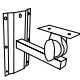
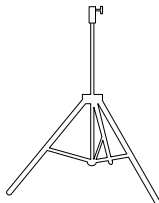
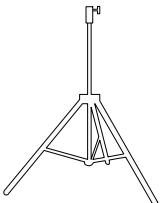

CONTROL PANEL



DIMENSION DRAWING



ACCESSORIES

					
V38	BOX 112	BOX 120	BOX 32BK	BOX 22BK	BOX 52BK
Nylon bag x 2 pcs installation	Mount for horizontal wall	Directional wall mount	Adjustable aluminium oor stand, damped safety mechanism. Max weight 70 kg (154 Lb)	Adjustable aluminium oor stand ø 35mm (1.38") with ø 25mm (1") adapter Max weight 40 kg (88 Lb)	Adjustable, for subsatellite speaker connection, with safety locking device ø 35mm (1.38")