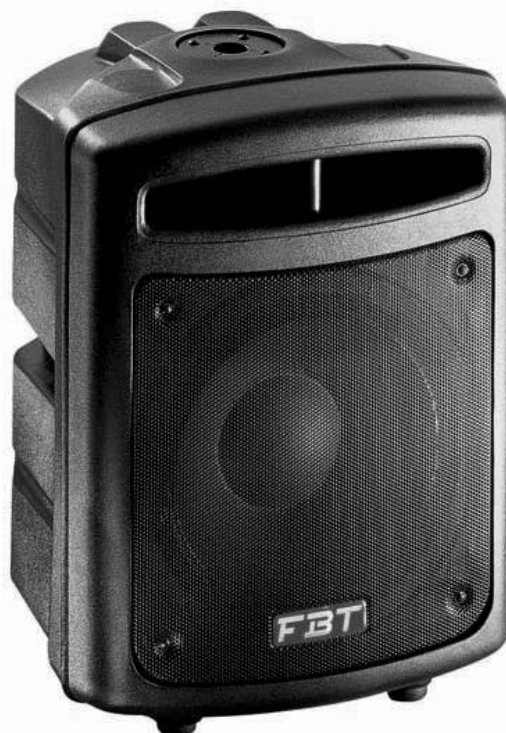


## APPLICATIONS

- Live Sound Reinforcement, Permanent installations
- School & Corporate Audio Visual Sound Reinforcement
- Background Music: Restaurants, Pubs
- Clubs, Auditoriums, Theatres
- Gyms, Houses of Worship

## FEATURES

- Lightweight Polypropylene Cabinet, 57,32 lbs
- Power Handling: 900W RMS
- 15" custom B&C woofer with double 4" voice coil
- Input Panel with 2 x Neutrik Speakon NL-4
- Multiple options: cluster, top mount satellite speaker cup
- Optional Carrying Bags available for protection for portable use
- High SPL capability: 134dB
- Completely Manufactured in Italy



## PRODUCT DESCRIPTION

The FBTMaxX 9S passive subwoofer features lightweight, yet rugged roto molded polypropylene cabinet construction. The FBTMaxX 9S features a 15" custom B&C woofer with a 4" double voice coil, neodymium magnet structure and an aluminum die cast frame. The FBTMaxX 9S offers a frequency range of 40Hz-125Hz, providing floor shaking low frequency extension with a SPL of 128dB and internal passive crossover filter with hi-pass satellite speakers outputs. A front face steel grille protects the woofer from external damage. The rear input panel features 2 Neutrik NL-4 Speakon . The optional BOX103 mounting brackets allow the FBTMaxX9S subwoofer to be surface mounted on walls or ceilings. A standard top mount 1,38" speaker stand socket allows satellite speakers.

## ELECTRICAL PERFORMANCE

System Type:	BASS REFLEX
Recommended Amplifier	900W RMS
Long Term Applicable Power (AES)	450W
Short Term Applicable Power (IEC 268-5)	1200W
Nominal Impedance	4 Ohm
Frequency Response @ -6dB	40Hz-125Hz
Sensitivity @ 1W, 1m	97dB
Maximum SPL ( continuous/peak ) *	132dB / 134dB
Dispersion	Omnidirectional
Recommended HP Filter	25Hz - 24dB oct.

## PHYSICAL

Low Frequency Woofer	1x15" / 4" Coil
High Frequency Driver	-----
Input Connectors	2 x Speakon NL4
Net Dimensions (WxHxD)	19,5" x 25,5" x 19,1"
Shipping Dimensions (WxHxD)	23,4" x 29,9" x 22,6"
Net Weight	57,32 lbs
Shipping Weight	63,93 lbs
Enclosure Material	Polypropylene
Grille	Steel with powder coat black paint finish
Mounting Hardware	Mounting Hardware

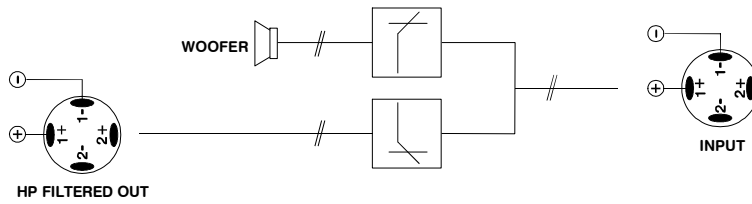
\* CONT. SPL: half space, based on recommended amp rating and LF transducer average sensitivity data, 125ms time average  
 PEAK SPL: half space, based on short term applicable power rating and system peak sensitivity, 10ms time average

# FBT

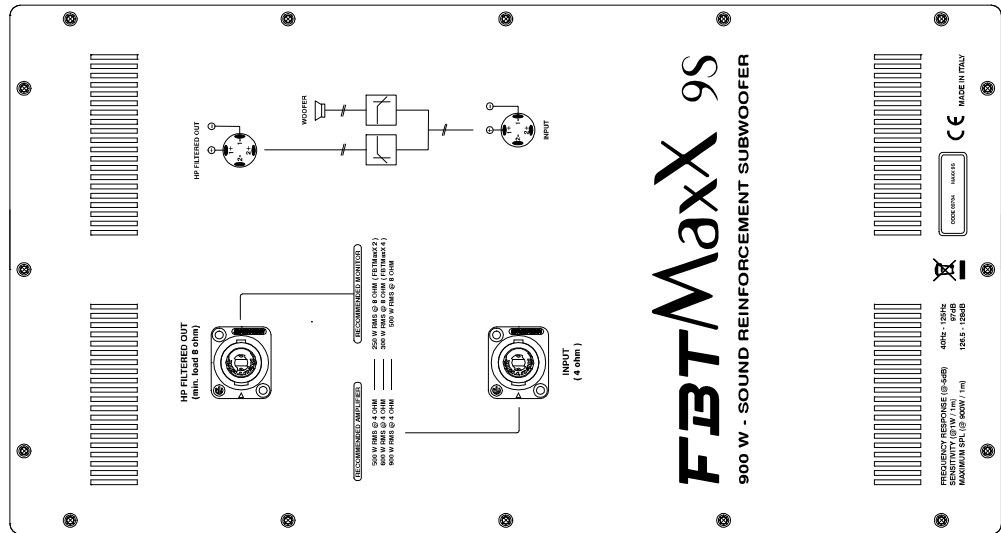
# FBTMaxX 9S

900 W - SOUND REINFORCEMENT SUBWOOFER

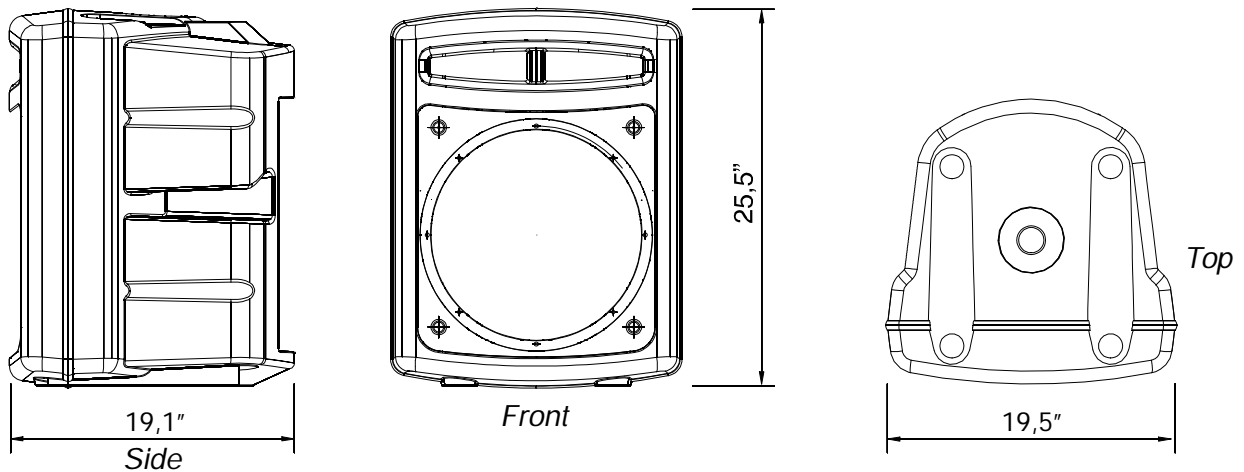
## BLOCK DIAGRAM



## CONTROL PANEL



## DIMENSION DRAWING



## ACCESSORIES

