

## APPLICATIONS

- Live Sound P.A. System or Live Sound Monitor, D.J. System
- School & Corporate Audio Visual Sound Reinforcement
- Background Music/Announcement: Restaurants, Pubs
- Transportation Terminals, Clubs, Auditoriums, Theatres
- Gyms, Houses of Worship

## FEATURES

- Lightweight Polypropylene Cabinet, 63,93 lbs
- Bi amplified: 750W RMS LF & 220W RMS HF
- 15" B&C custom neodymium woofer with 3" voice coil
- B&C HF compression driver with 2.5" voice coil and 1.4" exit
- Control Panel with Master volume control, Preamp gain control, 3 band eq, Ground lift switch, Neutrik balanced in/out
- Multiple mounting options: "wall, ceiling, cluster, speaker stand"
- Four M10 fly points
- Optional Carrying Bags available for protection for portable use
- High SPL capability: 134dB
- Completely Manufactured in Italy



## PRODUCT DESCRIPTION

The FBTMaxX 6A active speaker feature lightweight, yet rugged gas injected molded polypropylene cabinet construction. The asymmetrical shape of the FBTMaxX 6A cabinet also allows use as a floor stage monitor. The FBTMaxX 6A is a two way design incorporating a 15" custom B&C woofer with a neodymium magnet and a 1,4" throat B&C compression driver with 2,5" voice coil coupled to a 90°H x 60°V horn. The active internal crossover is at a fixed frequency of 1.3k. With a frequency range of 40Hz-20kHz, the FBTMaxX 6A provides hi fidelity sound for both speech and music applications with a maximum SPL of 134dB. A front face steel grille protects the woofer from external damage. FBT's ADAP (Advanced Dynamic Active Protection) circuitry protects speaker/driver components against failure. The bi amplified FBTMaxX6A active speaker features a 750W RMS PWM low frequency amp and a 220W RMS Class G high frequency amp. The control panel features a master volume control, preamp gain control, 3 band eq. with ±15dB of cut/boost @ 80Hz LF, ±12dB of cut/boost @ 2,5k midrange and ±15dB cut/boost @ 10kHz HF, a balanced Neutrik input combo jack, balanced XLR link output jack, ground lift switch and led power on. The four M10 fly points built into the cabinet, along with the optional Box 104 & Box 105 mounting brackets allow the FBTMaxX 6A speakers to be surface mounted on walls or ceilings. A standard 1.38" speaker stand socket allows the FBTMaxX 6A to be mounted on speaker stands.

## ELECTRICAL PERFORMANCE

System Type	2 Way
Internal Amplifiers*	cont.: 700W+200W RMS max.: 750W+220W RMS max. peak: 1500W+440W RMS
Low Frequency Woofer	1 x 15" - 3" coil
High Frequency Driver	1,4 + horn - 2,5" coil
Frequency Response @ -6dB	40Hz - 20kHz
Input Impedance	22kOhm
Input Sensitivity	0dBu line
Maximum SPL ( continuous/peak )**	128dB / 134dB
Dispersion	90°H x 60°V
Active Crossover Frequency	1,8kHz
AC Power Requirement (continuous/peak)	700/1500VA

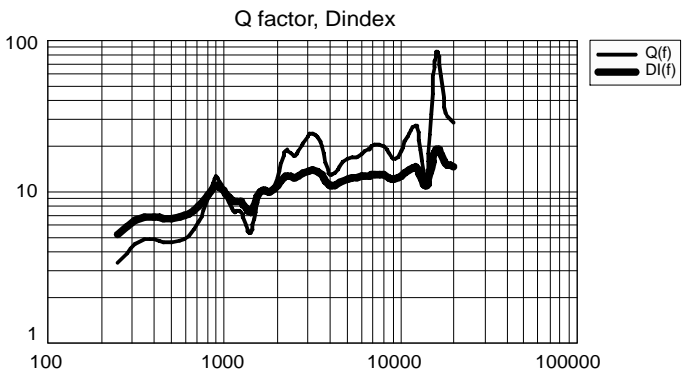
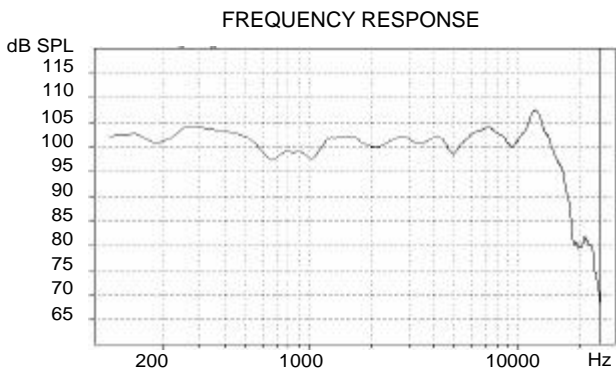
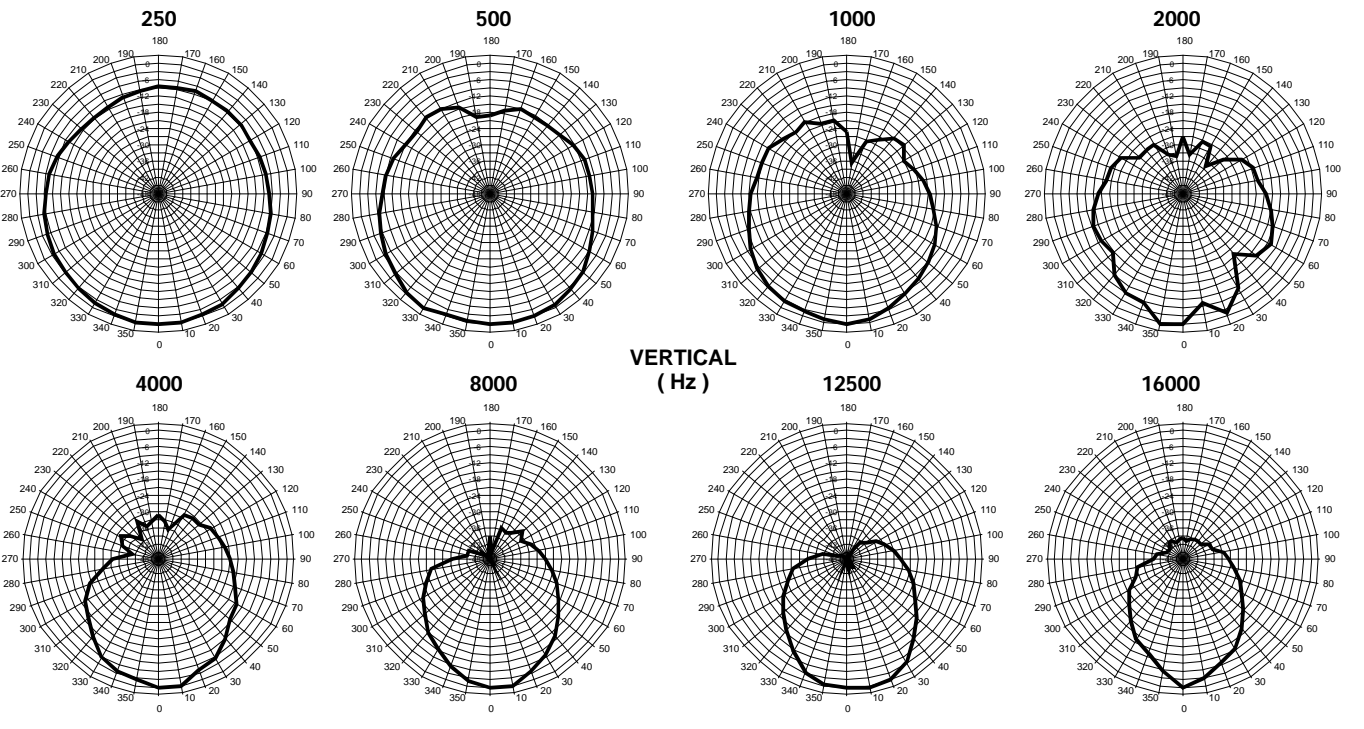
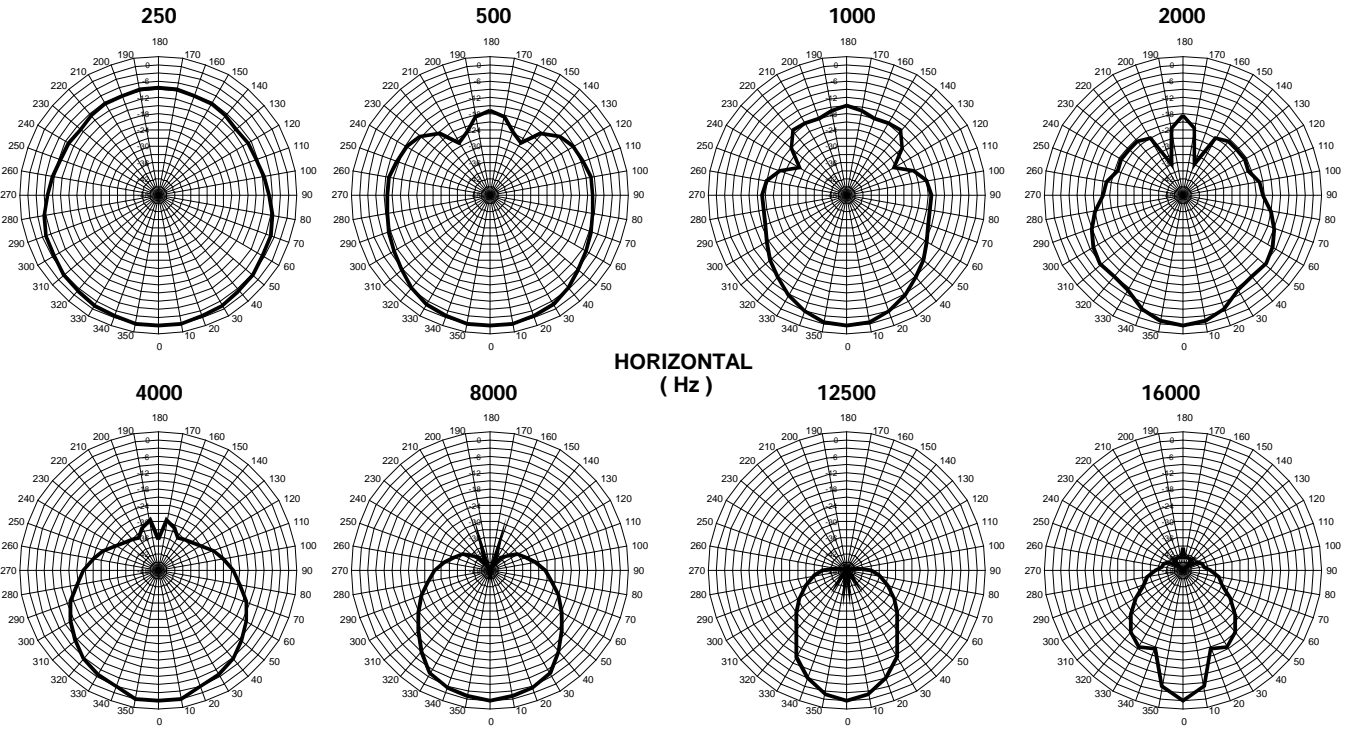
## PHYSICAL

Input Connectors	Combo / XLR
Net Dimensions (WxHxD)	19" x 29,8" x 15,7"
Shipping Dimensions (WxHxD)	23,4" x 34,6 x 20,3"
Net Weight	63,93 lbs
Shipping Weight	72,75 lbs
Enclosure Material	Polypropylene
Grille	Steel with powder coat black paint finish
Mounting Hardware	Mounting Hardware
Power Supply Cable	197 inch

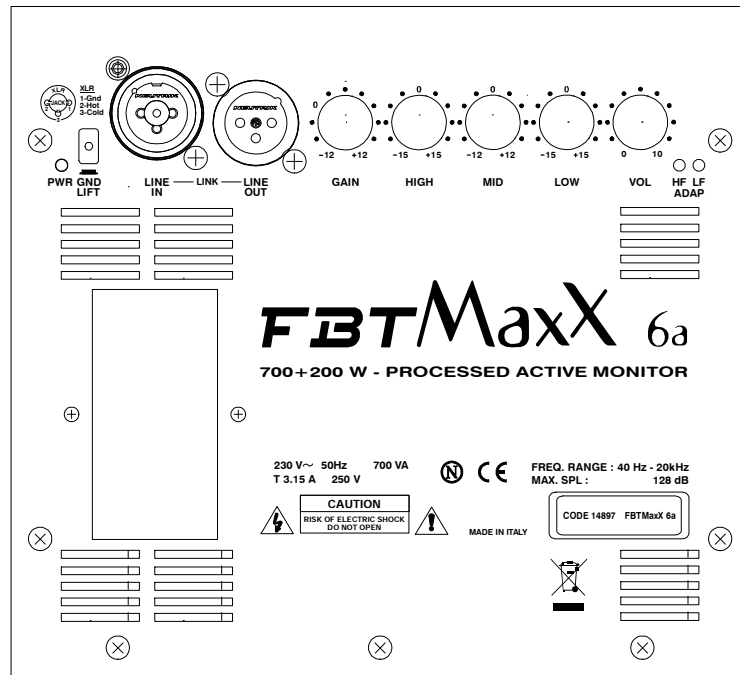
\* CONT. : 500ms burst, rms power on nominal speaker impedance  
MAX: 2ms burst, rms power on nominal speaker impedance  
MAX PEAK: based on max peak output voltage and nominal speaker impedance

\*\* CONT. SPL: free space, based on continuous power amp rating and LF transducer average sensitivity data, 125mS time average  
PEAK SPL: free space, based on max. peak power amp rating and system peak sensitivity, 10mS time average

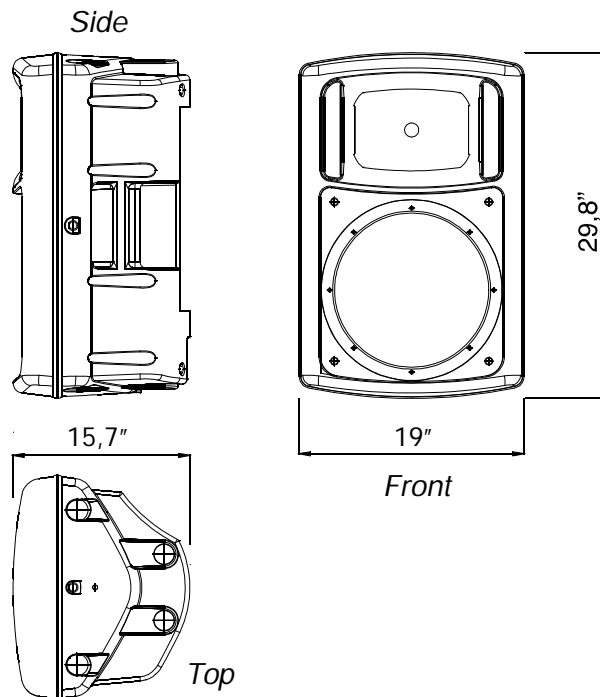
# DIAGRAMS



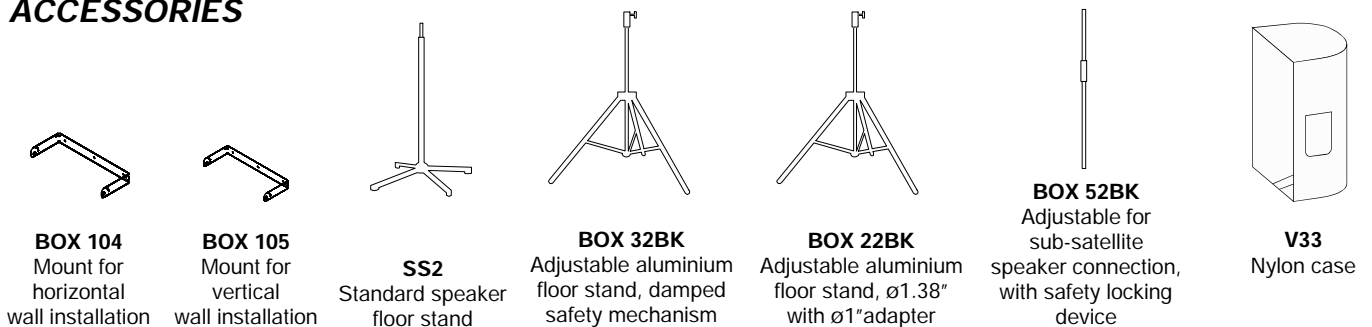
## CONTROL PANEL



## DIMENSION DRAWING



## ACCESSORIES



**BOX 104**  
Mount for horizontal wall installation

**BOX 105**  
Mount for vertical wall installation

**SS2**  
Standard speaker floor stand

**BOX 32BK**  
Adjustable aluminium floor stand, damped safety mechanism

**BOX 22BK**  
Adjustable aluminium floor stand,  $\phi 1.38''$  with  $\phi 1''$  adapter

**BOX 52BK**  
Adjustable for sub-satellite speaker connection, with safety locking device

**V33**  
Nylon case