

## APPLICATIONS

- Low frequency extension for Live Sound PA System, DJ System
- School & Corporate Audio Visual Sound Reinforcement
- Background Music: Restaurants, Pubs
- Clubs, Auditoriums, Theatres
- Gyms, Houses of Worship

## FEATURES

- 13 ply birch plywood cabinet , 63,93 lbs
- Power Output: 700W RMS
- 15" custom B&C neodymium woofer with 3" voice coil
- Control Panel with Master volume control, 0°-180° phase reversal switch, Left and Right channel balanced inputs, Link outputs, Left and Right balanced filtered outputs, Ground lift switch, Neutrik XLR balanced in/out
- Top mount satellite speaker socket
- Optional Carrying Bags available for protection for portable use
- High SPL capability: 138dB
- Completely Manufactured in Italy



## PRODUCT DESCRIPTION

The FBTMaxX 10SA powered subwoofer features a 13 ply birch plywood cabinet with scratch & scuff resistant black paint finish. The FBTMaxX 10SA features a 15" custom B&C woofer with 3" voice coil, neodymium magnet structure. The active internal stereo crossover is at a fixed frequency of 120Hz. With a frequency range of 36Hz-120Hz, the FBTMaxX 10SA providing floor shaking low frequency extension with a SPL of 138dB. FBT's ADAP (Advanced Dynamic Active Protection) circuitry protects speaker component against failure. The FBTMaxX 10SA powered subwoofer features a 700W RMS PWM (Pulse Width Modulation) passively cooled (no fan) low frequency amp that offers 90% efficiency. The FBTMaxX 10SA amplifier design, like all FBT powered MaxX Speakers prevents annoying thermal shutdowns that plague many other powered speakers and powered subwoofers. The control panel features a master volume control, Balanced left and right channel Neutrik input combo jacks, Balanced XLR left and right channel link output jacks, Balanced left and right channel filtered outputs to connect 2 way full range satellite speakers, ground lift switch, led power on and a LF overload led indicator. A standard top mount 1,38" speaker stand socket allows satellite speakers such as the FBTMaxX 2A, FBTMaxX 4A, FBTMaxX 6A and others to be placed above the subwoofer cab on an adjustable satellite speaker pole mount.

## ELECTRICAL PERFORMANCE

|  |   |
|--|---|
| System Type                            | vented band pass  |
| Internal Amplifiers *                  | cont.: 500W RMS<br>max.: 700W RMS<br>max. peak: 1500W RMS |
| Low Frequency Woofer                   | 1 x 15" - 3" coil   |
| Frequency Response @ -6dB              | 36Hz - 120Hz  |
| Input Sensitivity                      | 0dBu line   |
| Maximum SPL ( continuous/peak ) * *    | 135.5dB / 138dB   |
| Dispersion                             | omnidirectional   |
| Input Impedance                        | 22kOhm  |
| Active Crossover Frequency             | active 120Hz  |
| AC Power Requirement (continuous/peak) | 650/1300VA  |

## PHYSICAL

|                             |                        |
|-----------------------------|------------------------|
| Input Connectors            | Combo / XLR stereo     |
| Net Dimensions (WxHxD)      | 19" x 24,8" x 25,2"    |
| Shipping Dimensions (WxHxD) | 20,55" x 27,6" x 26,8" |
| Net Weight                  | 90,39 lbs              |
| Shipping Weight             | 99,21 lbs              |
| Enclosure Material          | Polypropylene          |
| Power Supply Cable          | 197 inch               |

\* CONT. : 500ms burst, rms power on nominal speaker impedance  
MAX: 2ms burst, rms power on nominal speaker impedance  
MAX PEAK: based on max peak output voltage and nominal speaker impedance

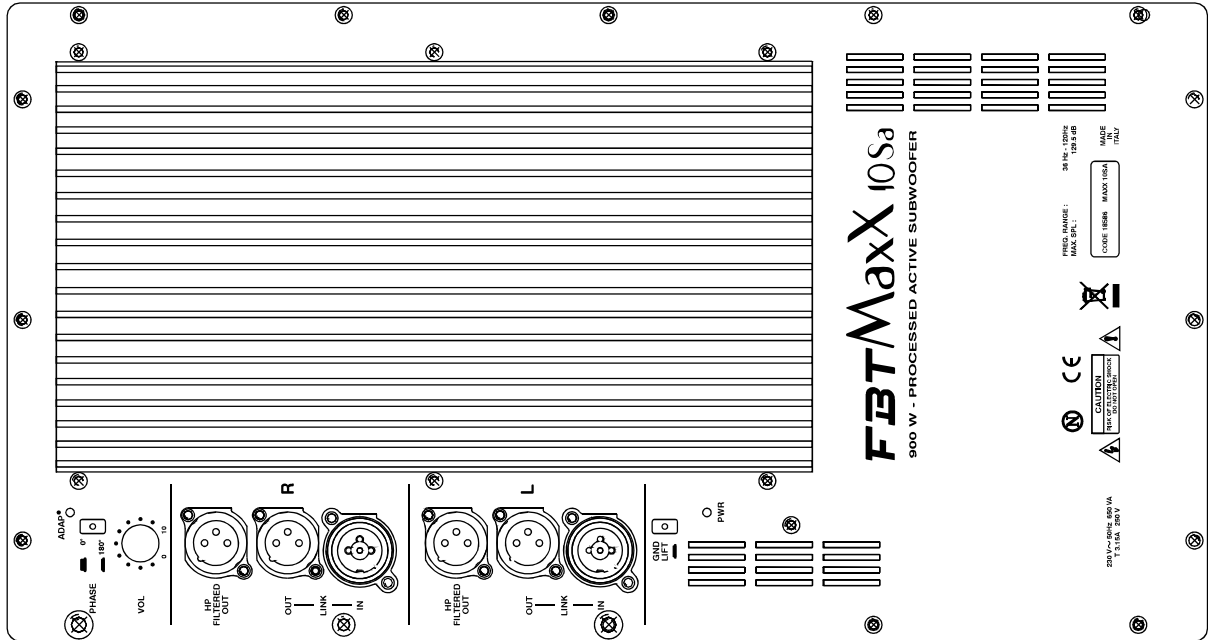
\*\* CONT. SPL: free space, based on continuous power amp rating and LF transducer average sensitivity data, 125mS time average  
PEAK SPL: free space, based on max. peak power amp rating and system peak sensitivity, 10mS time average

# FBT

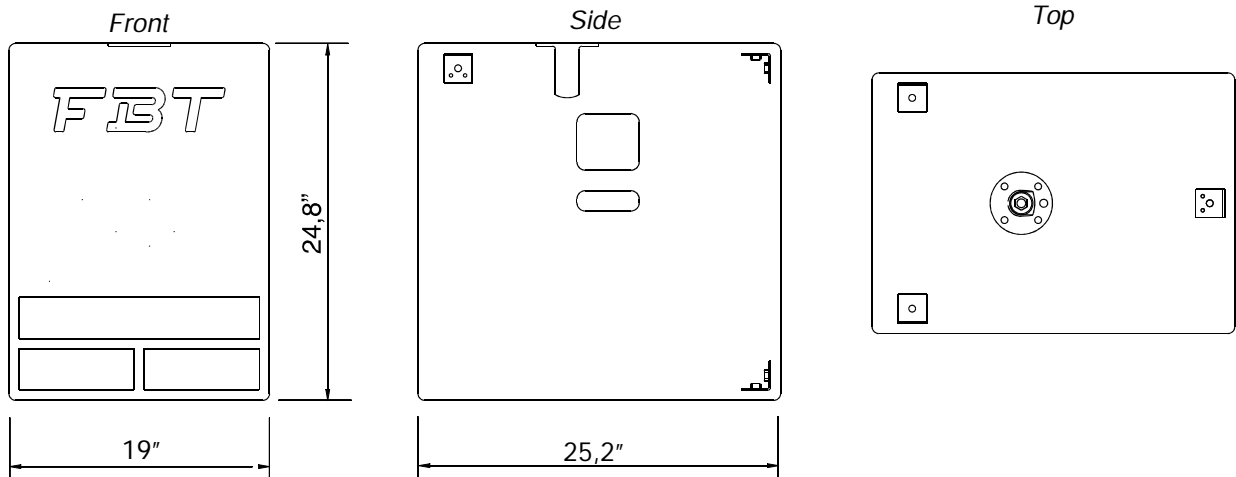
# FBTMaxX 10Sa

PROCESSED ACTIVE SUBWOOFER

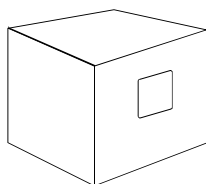
## CONTROL PANEL



## DIMENSION DRAWING



## ACCESSORIES



**V39**  
Nylon case

## RISPOSTA IN FREQUENZA

